

SEAT ALTEA



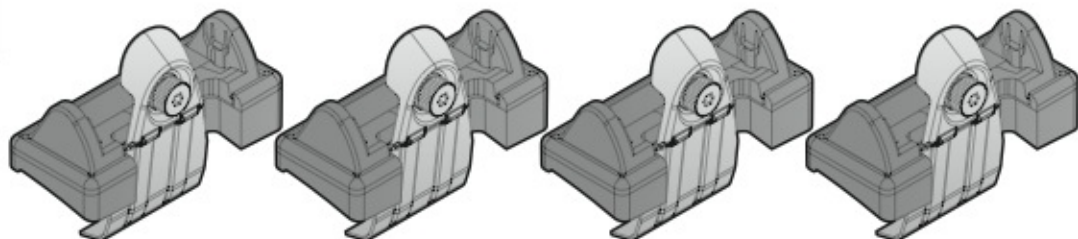
4/04→

SEAT TOLEDO



1/05→9/09

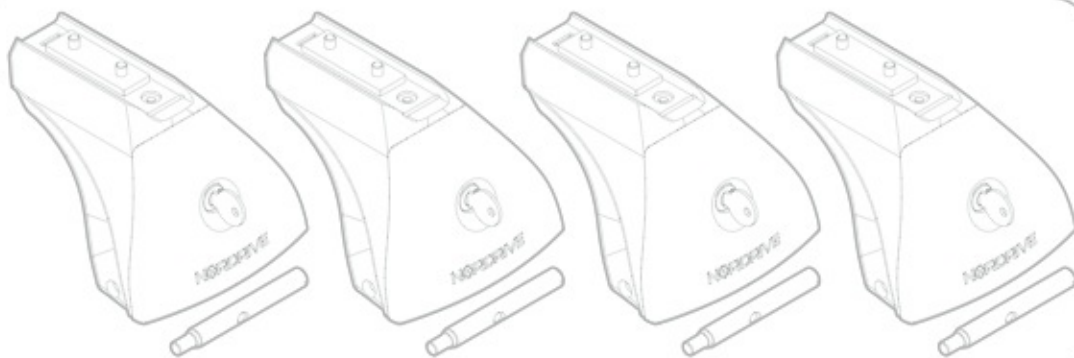
Art.
N21045



C

+

Art. **N20001**



B

+

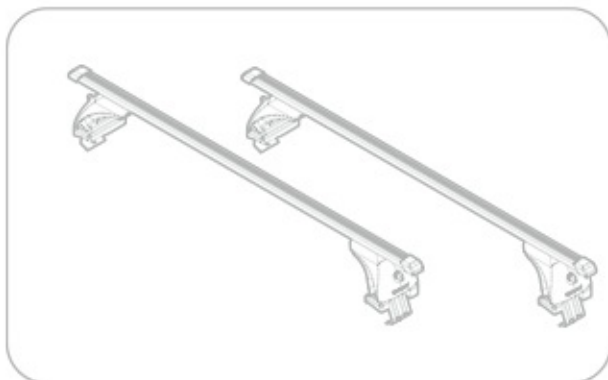
Art. **N15021**



A

ACCIAIO
Steel

=



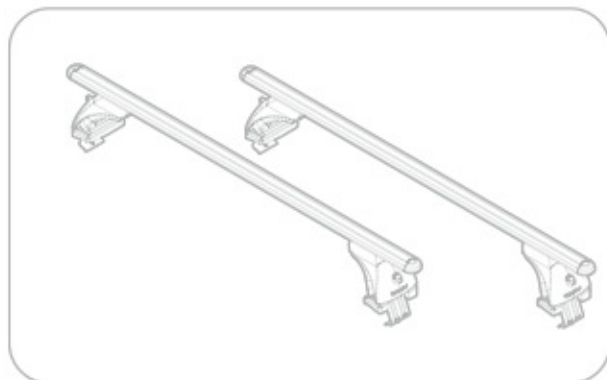
Art. **N15026**






A

ALLUMINIO
Aluminium

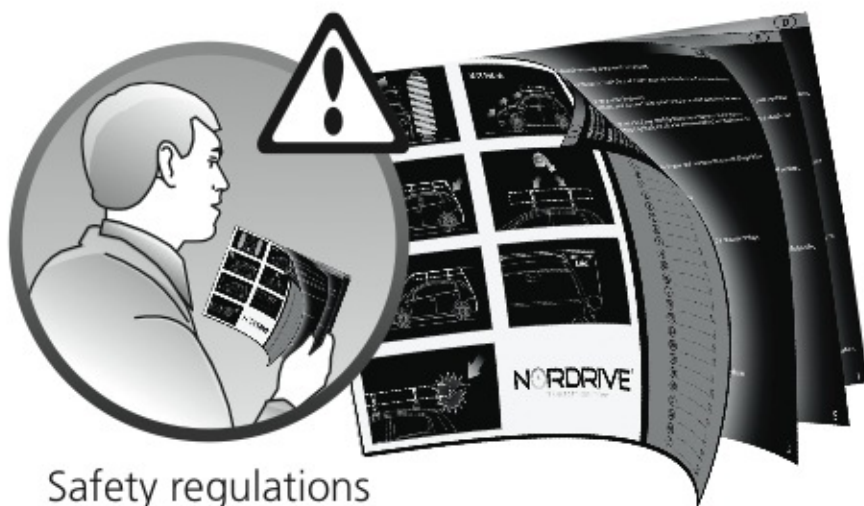
=



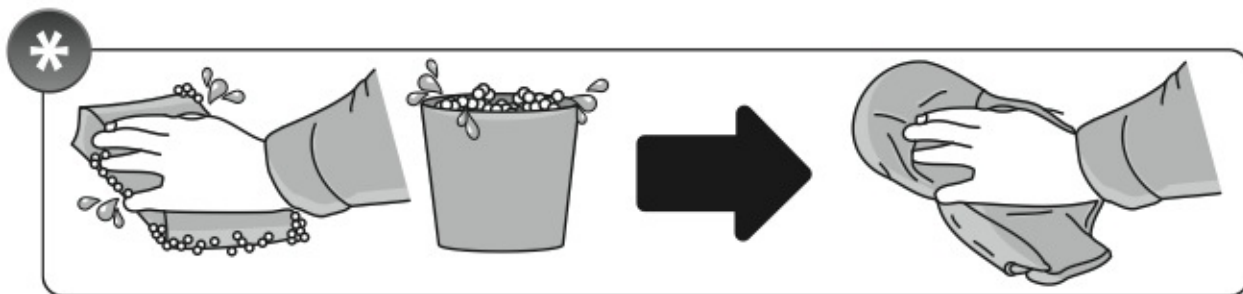
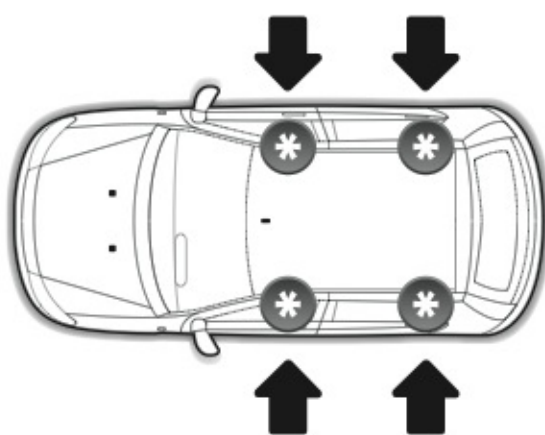
 +  +  = max: **60kg**
5,5kg



max:
???kg



Safety regulations





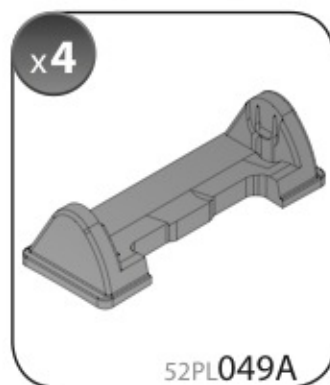
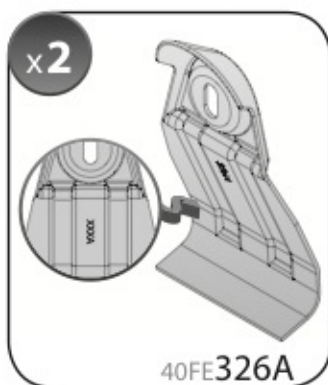
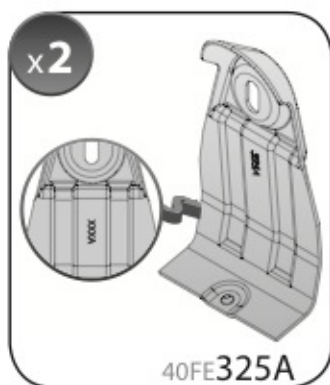
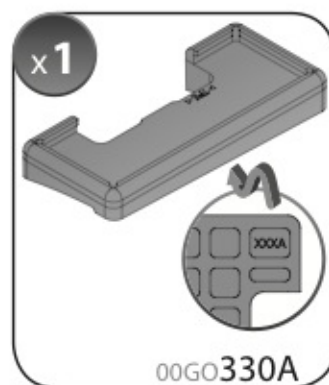
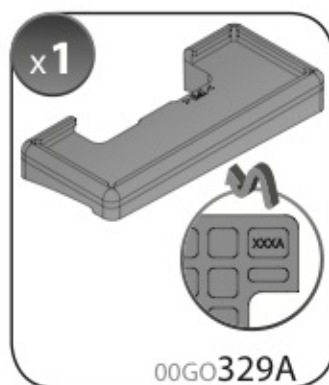
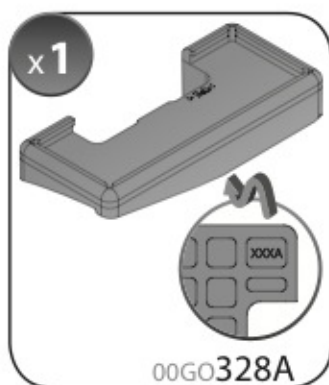
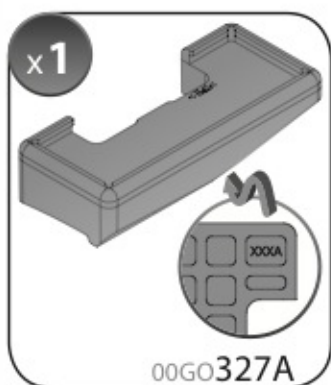
SEAT ALTEA

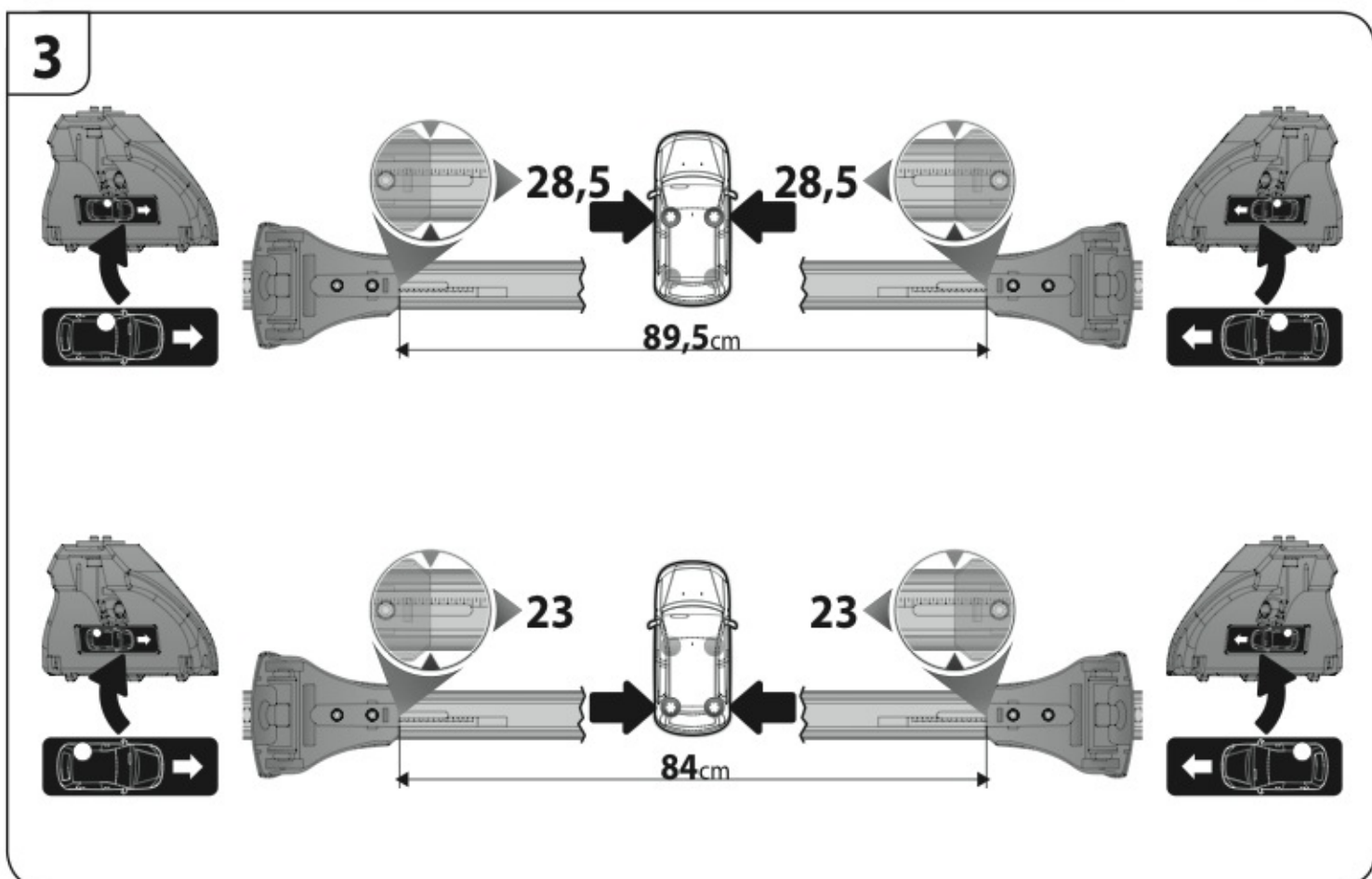
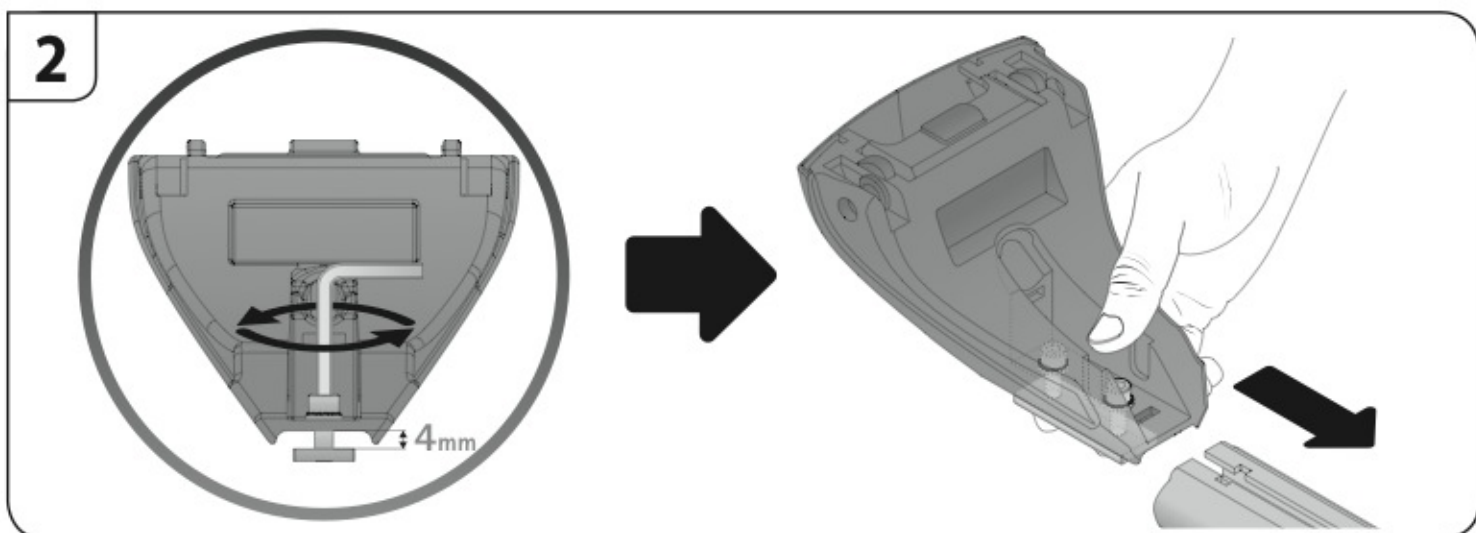
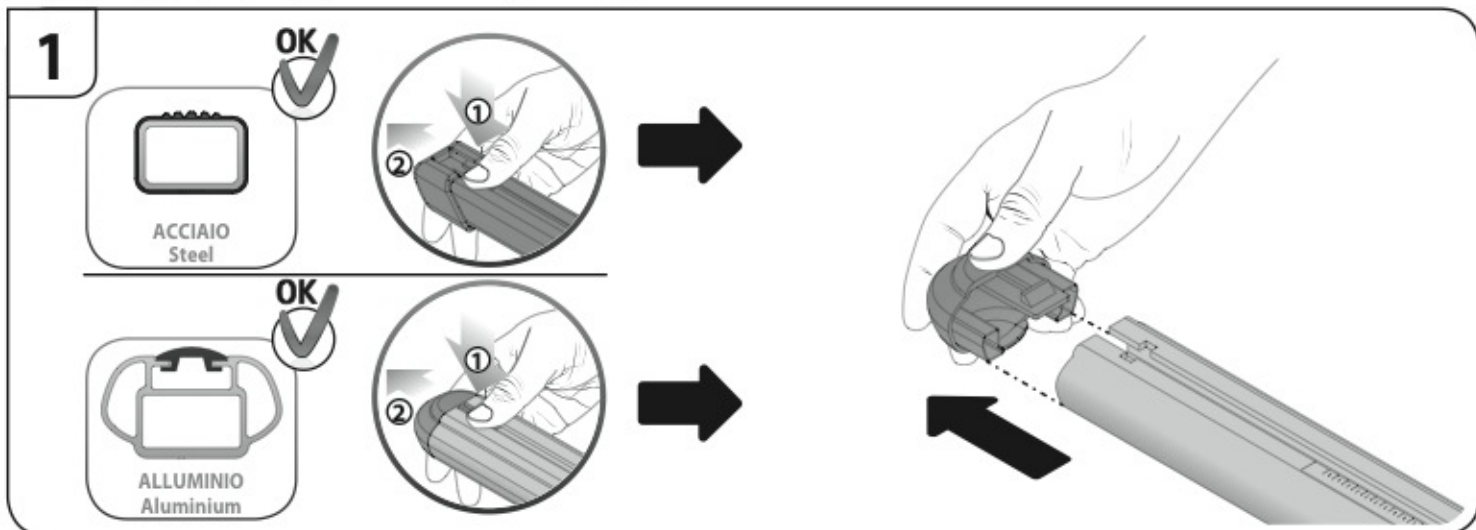
4/04 →

SEAT TOLEDO

1/05 → 9/09

Art. **N21045**

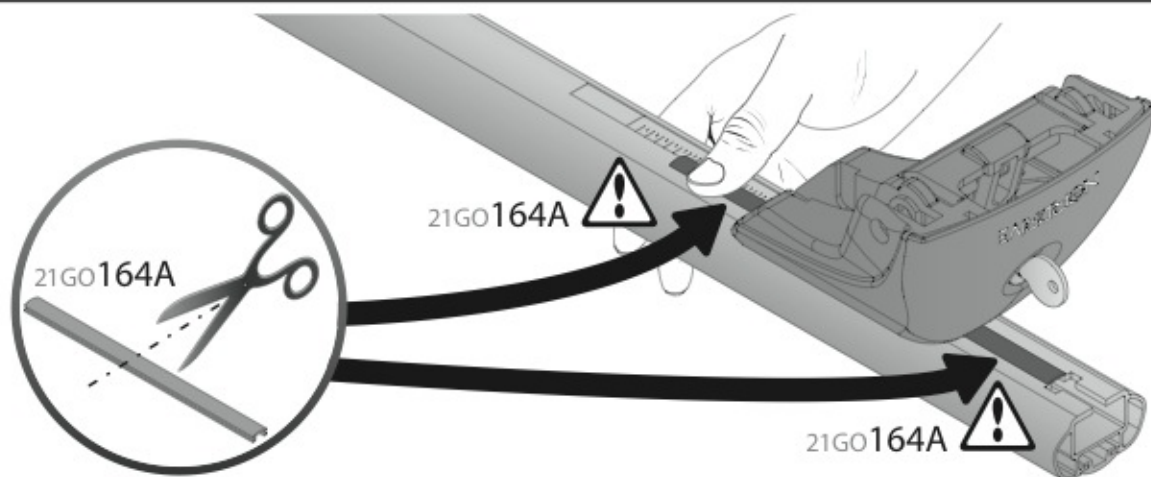




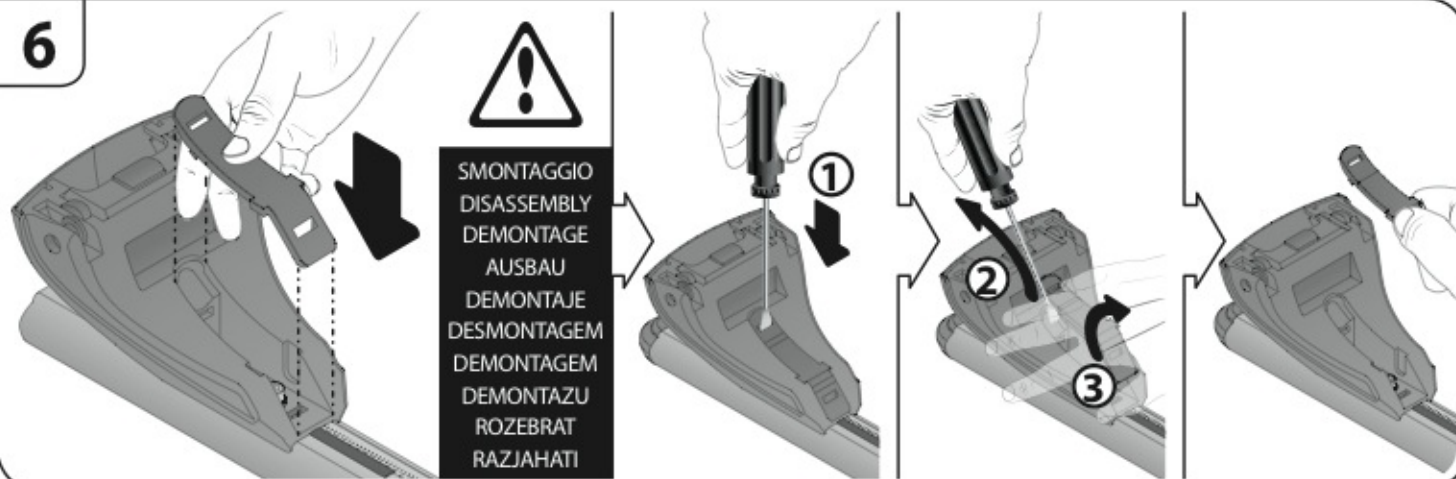
4



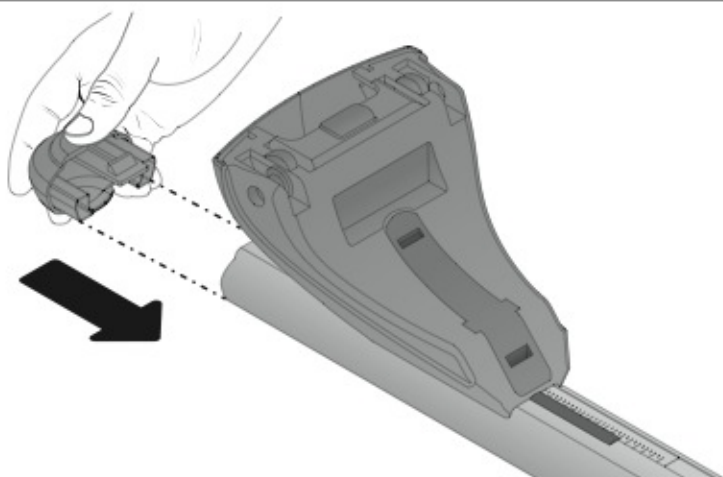
5

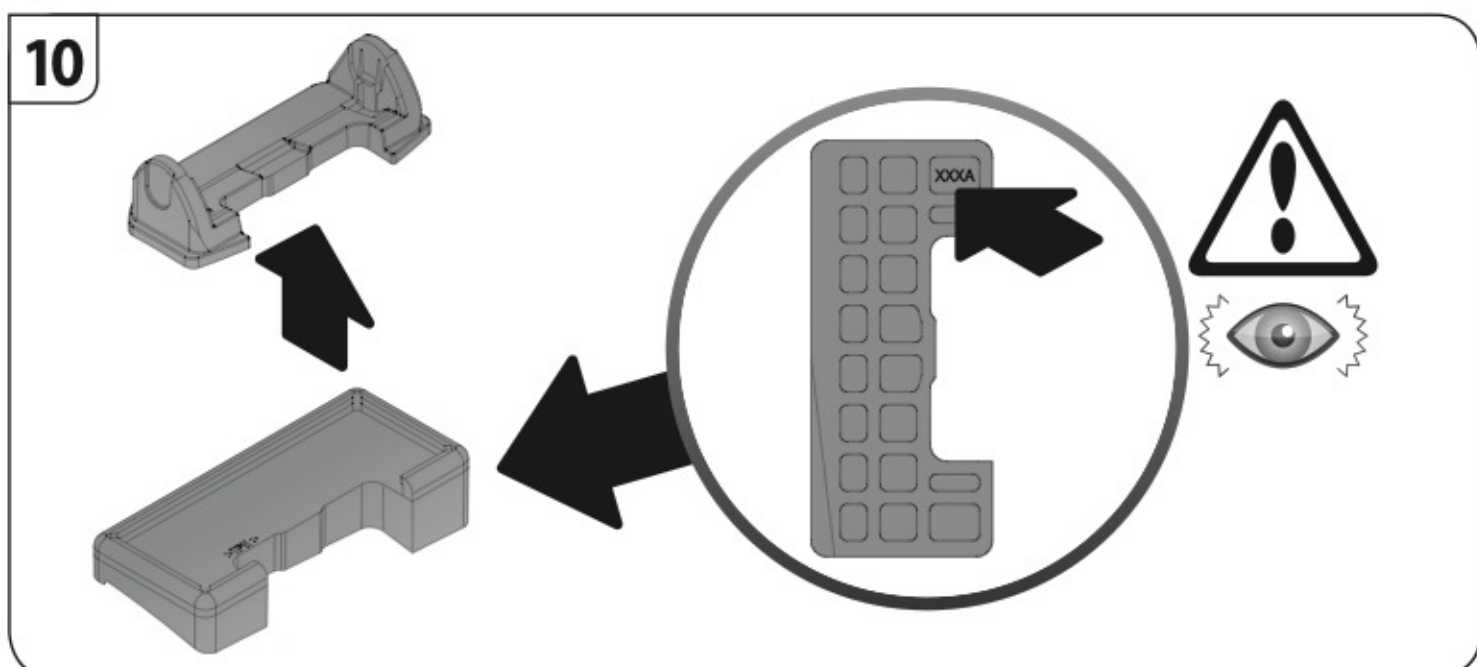
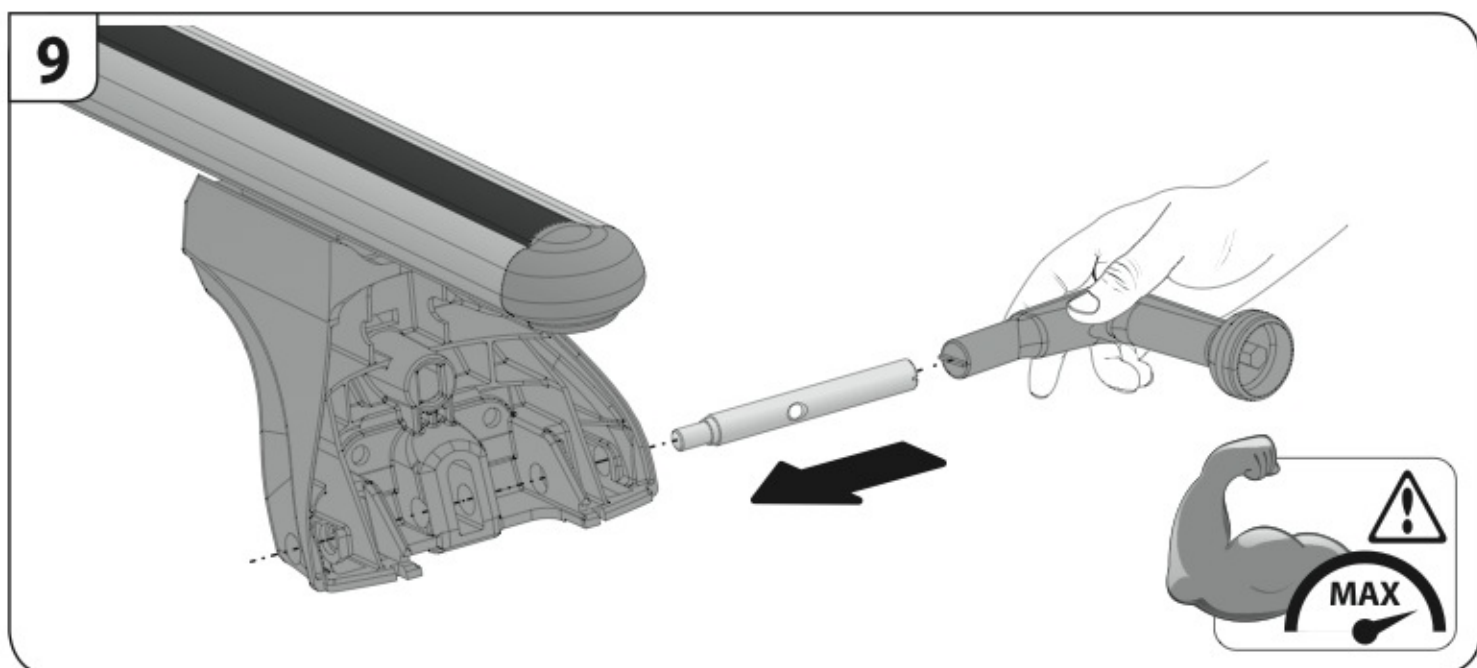
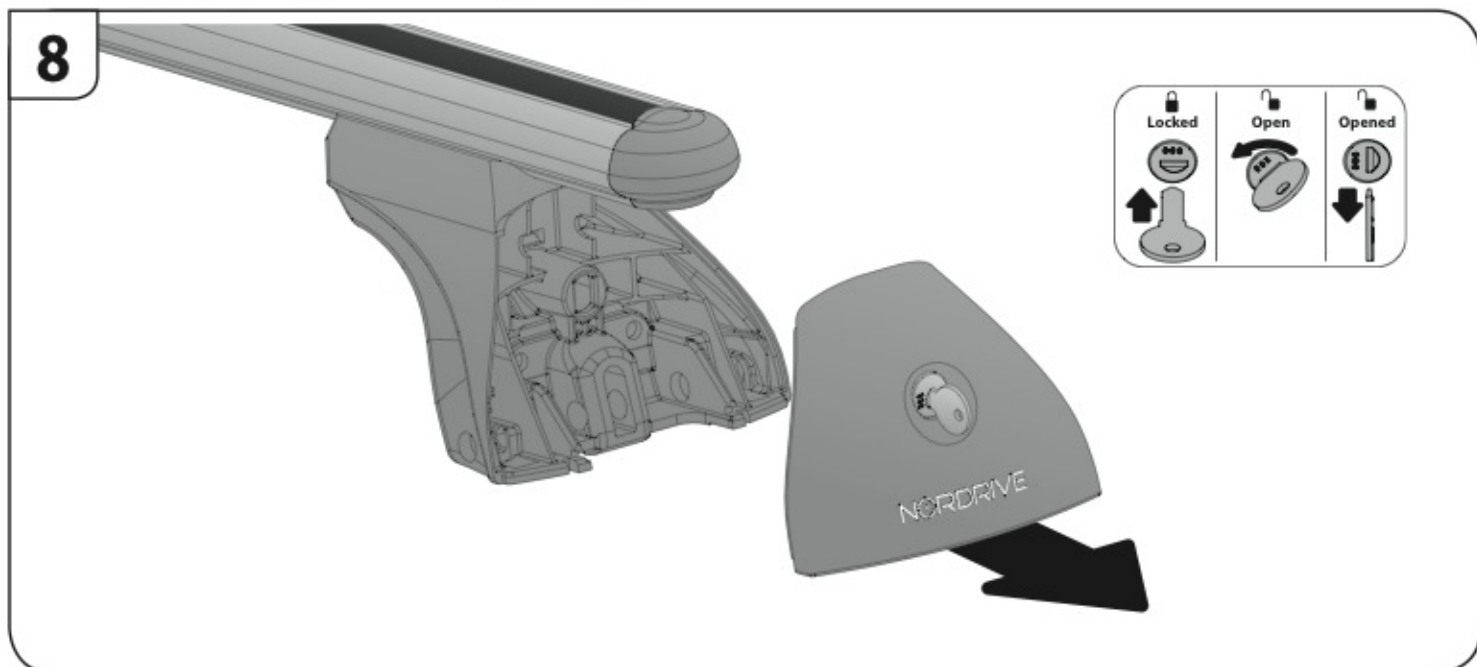


6

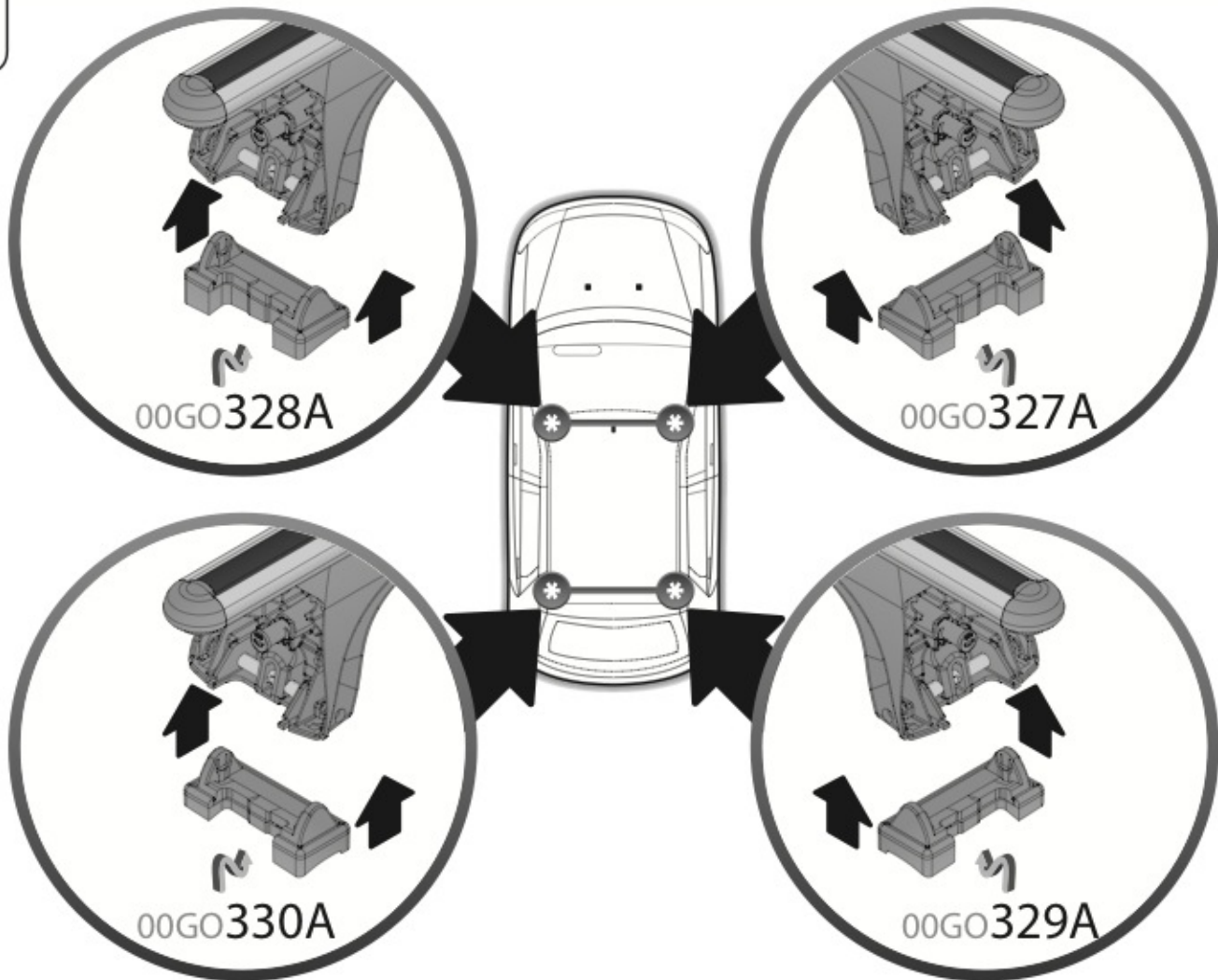


7

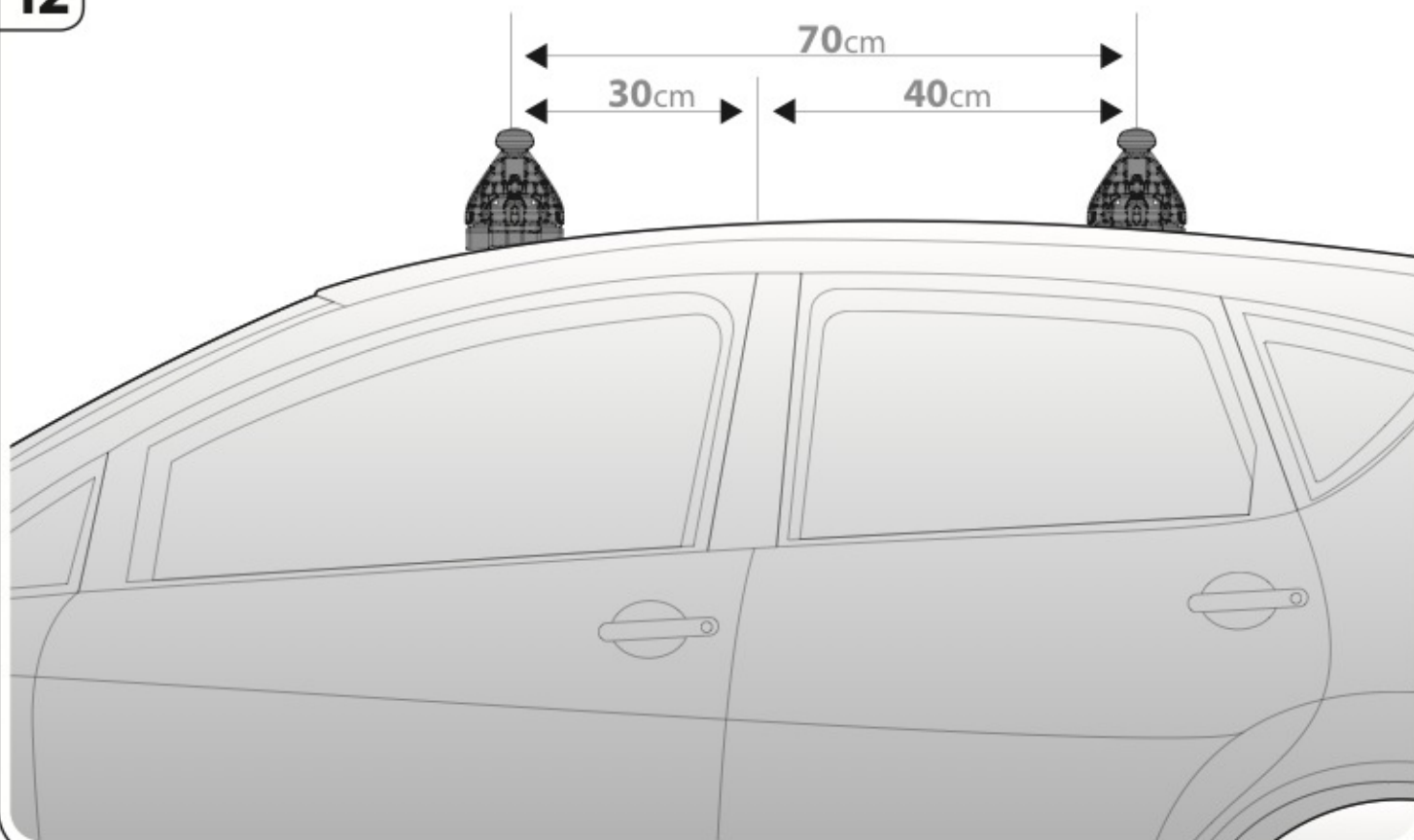




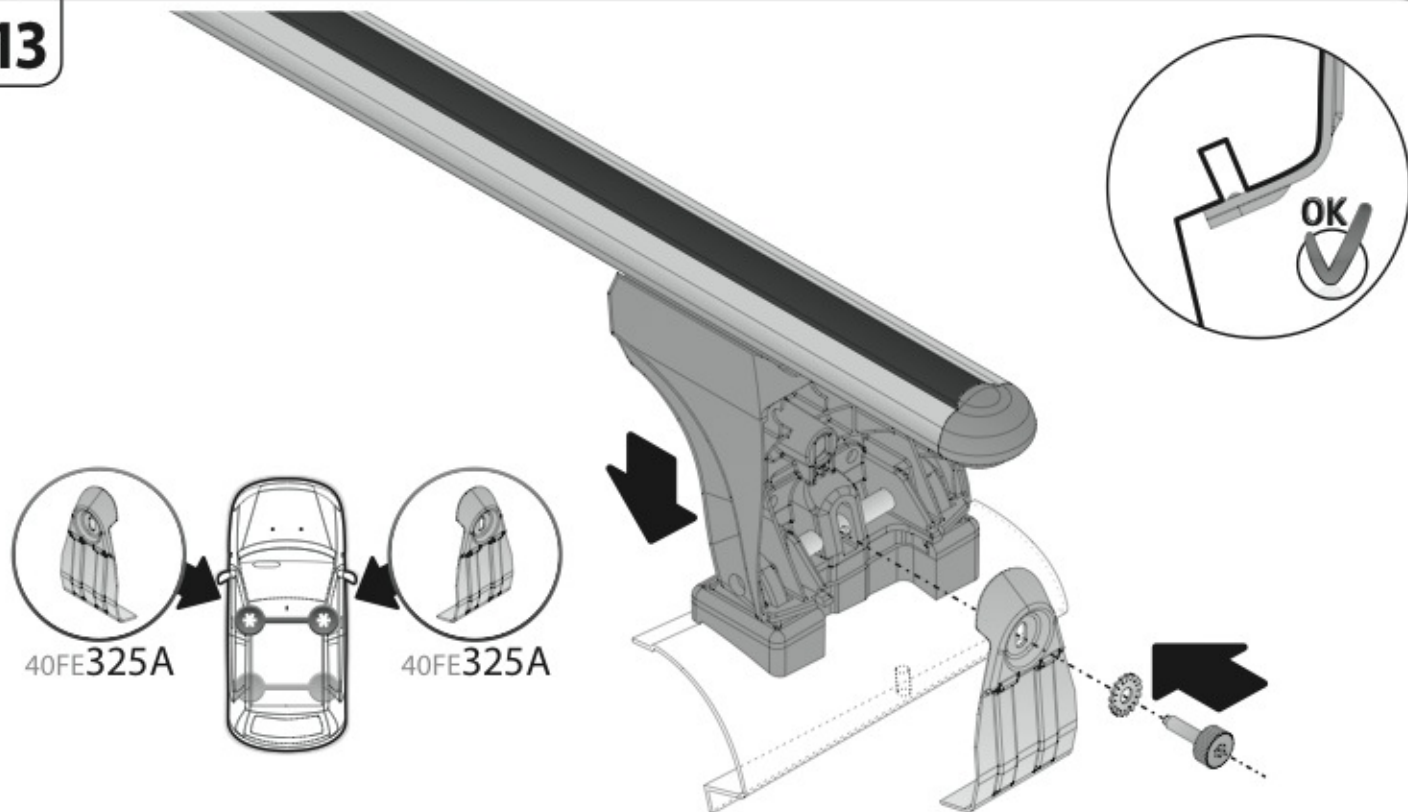
11



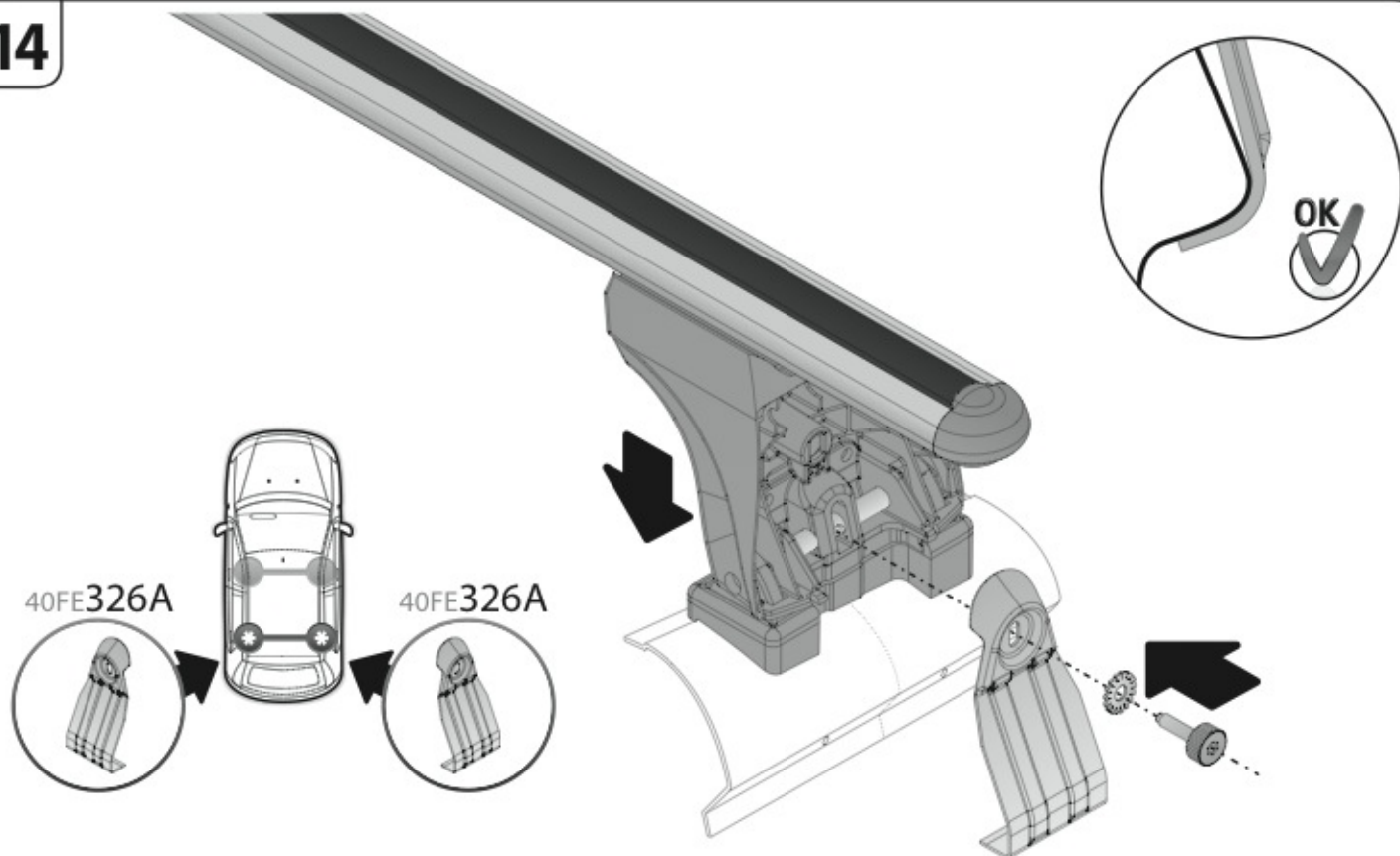
12



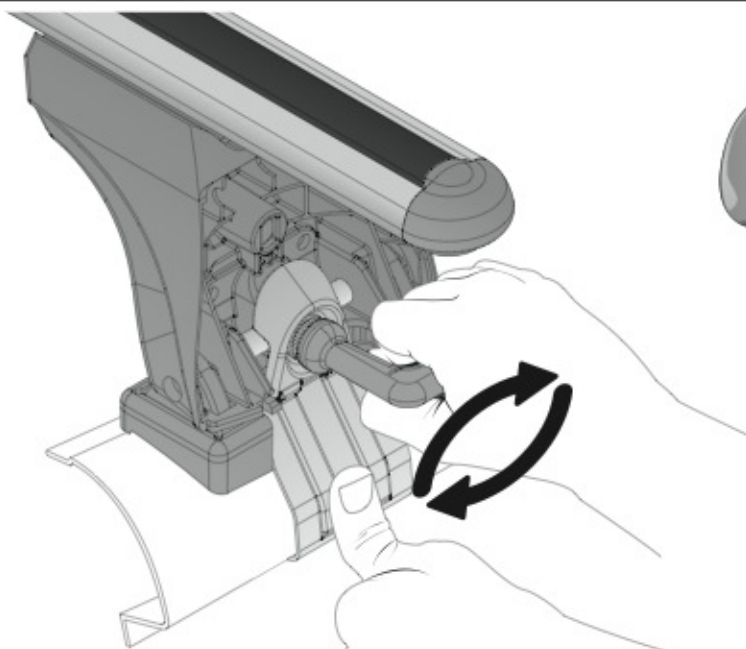
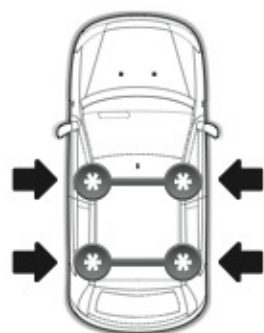
13



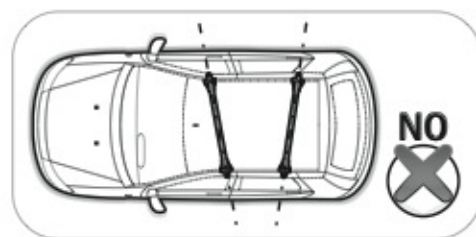
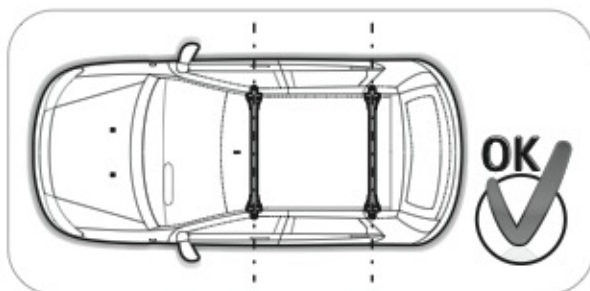
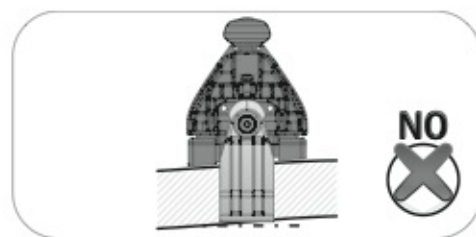
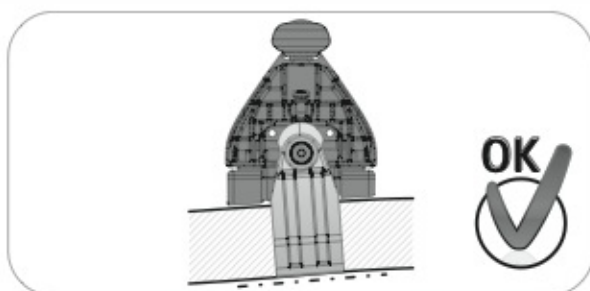
14



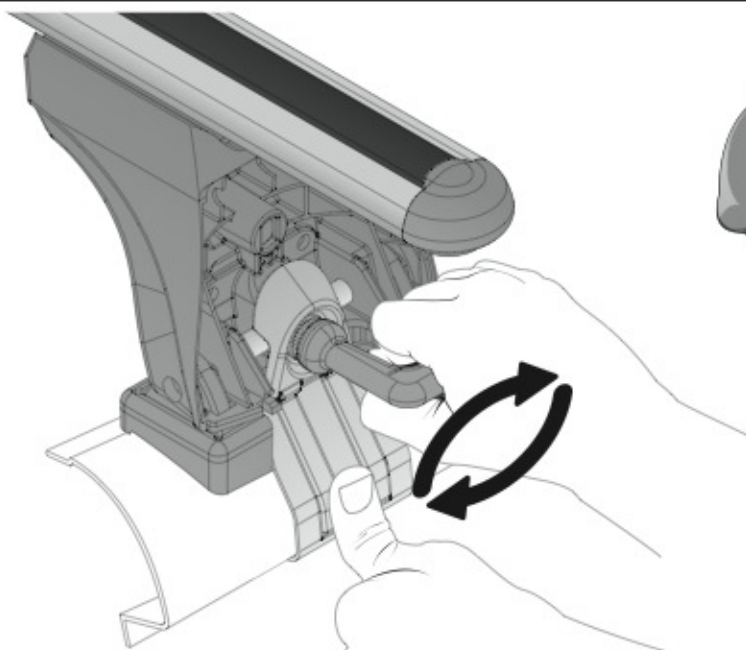
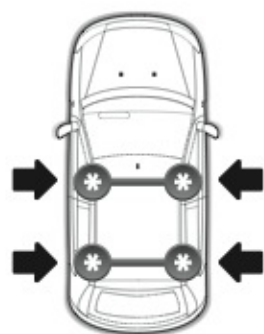
15



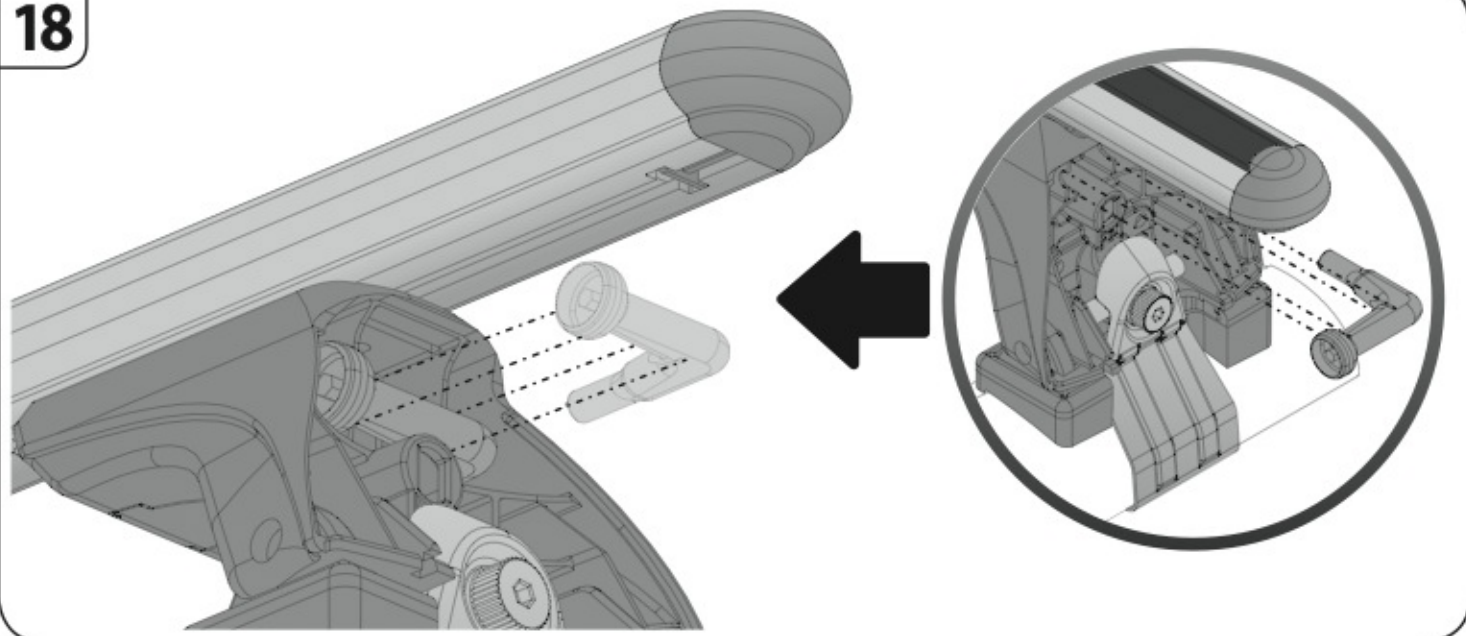
16



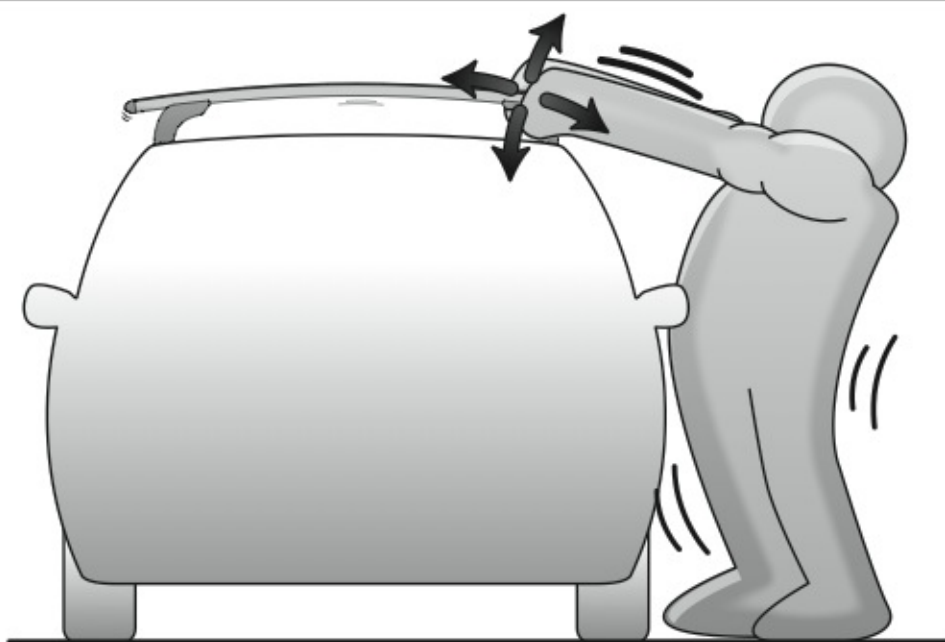
17



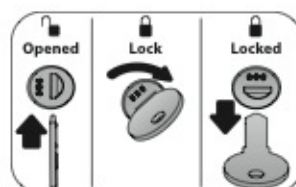
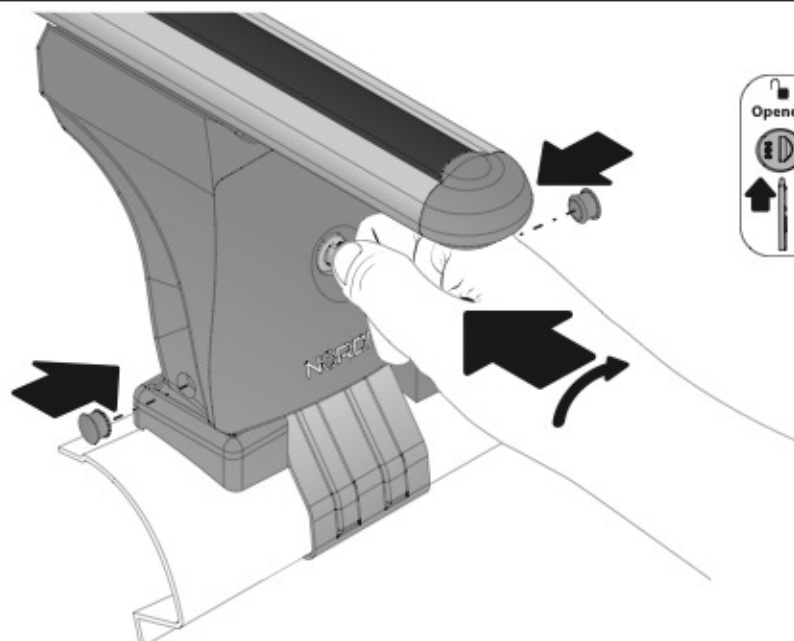
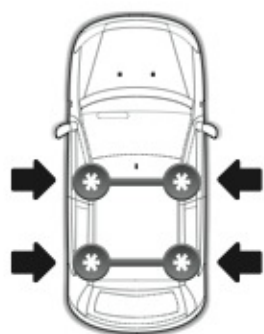
18



19



20



EVOS

EVOLUZIONE ZERO SYSTEM

NORDRIVE[®]
TRANSPORT SOLUTIONS

is a registered trade mark of

LAMPA S.p.A.

46019 Viadana (MN) ITALY

Ditta certificata UNI EN ISO 9001:2008

www.nordrive.it

www.lampa.it