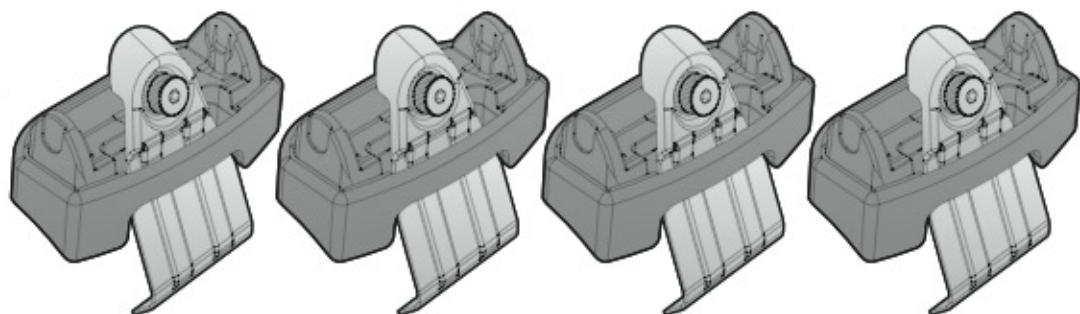


BMW X1
(no railing)



9/09 →

Art.
N21113



C

+

Art. N20001



B

+

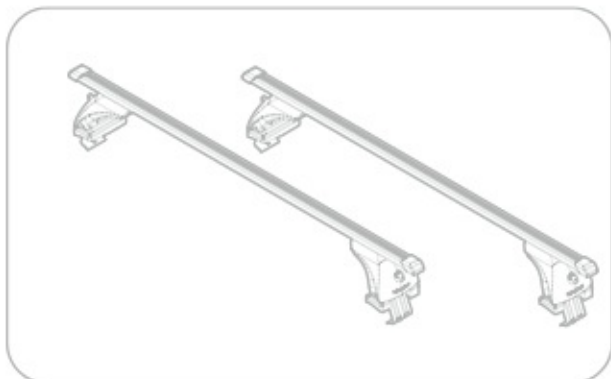
Art. N15021



A

ACCIAIO
Steel

=



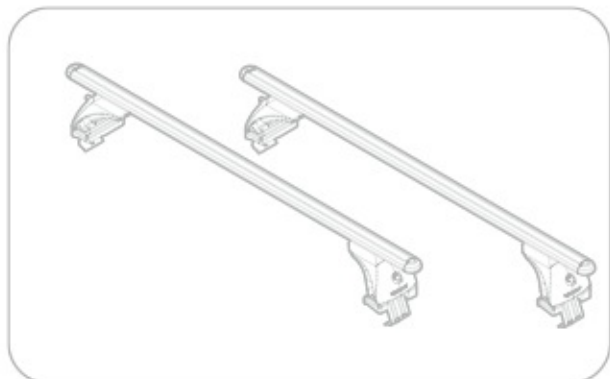
Art. N15026



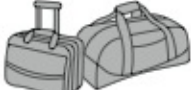


A

ALLUMINIO
Aluminium

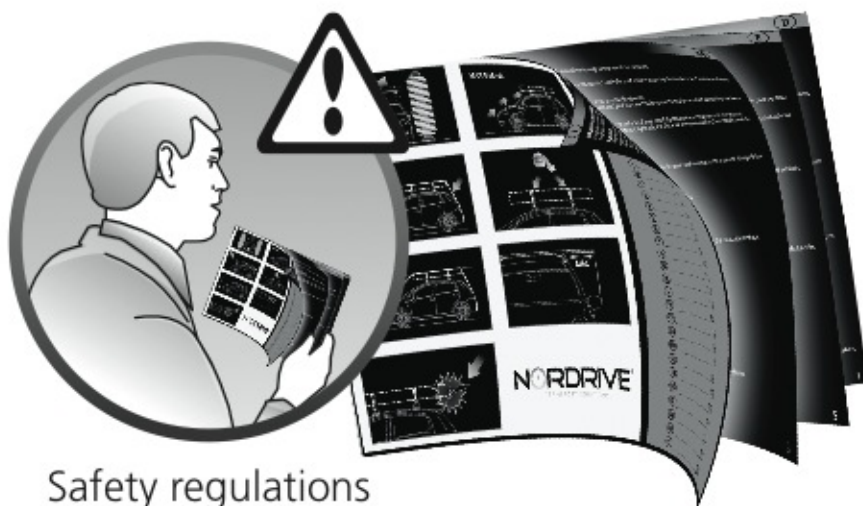
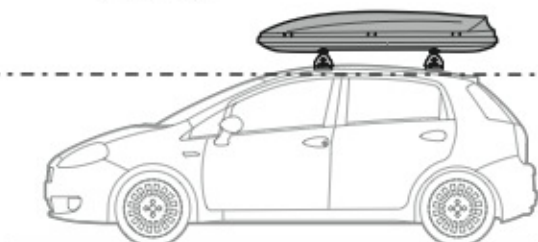
=



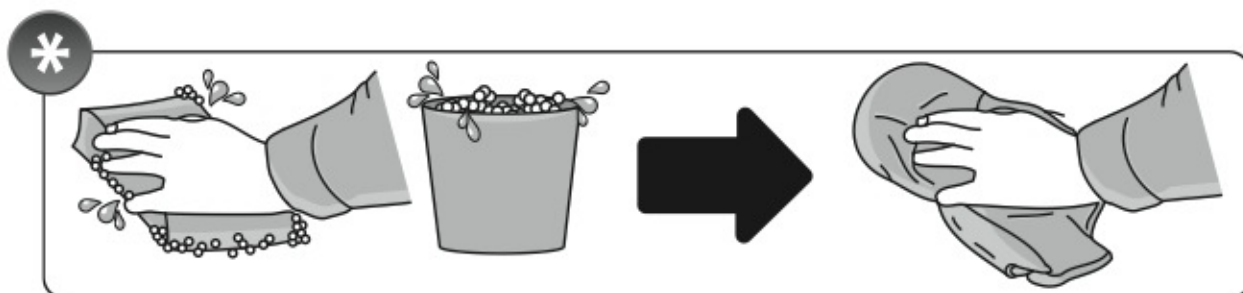
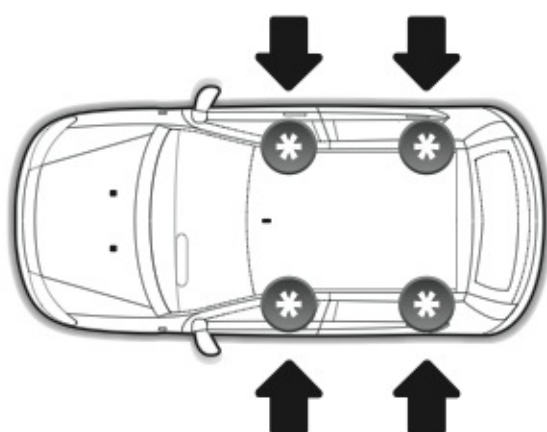
 +  +  = max: **50kg**
5,5kg



max:
???kg



Safety regulations



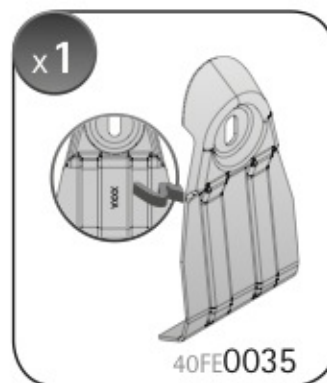
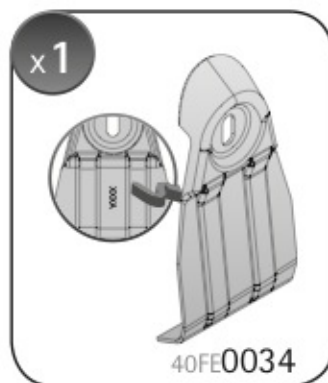
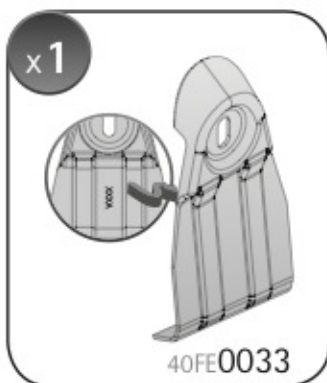
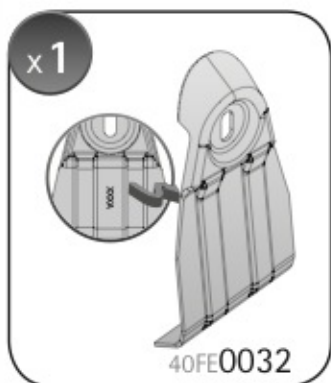
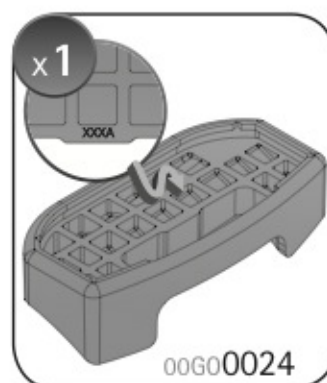
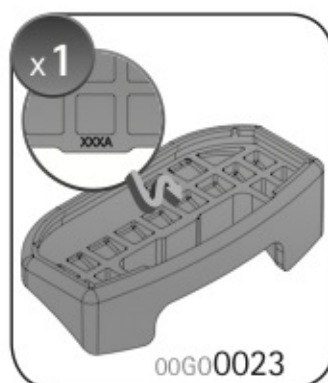
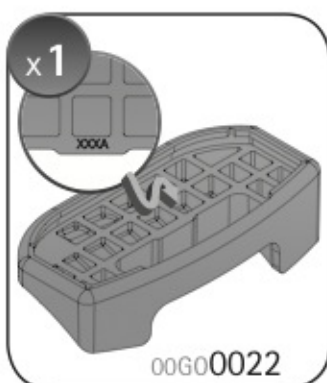
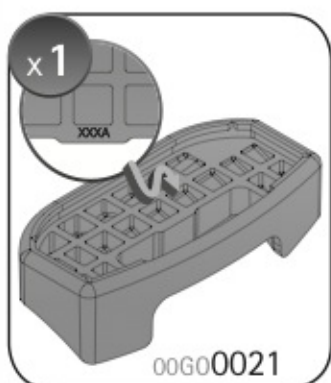


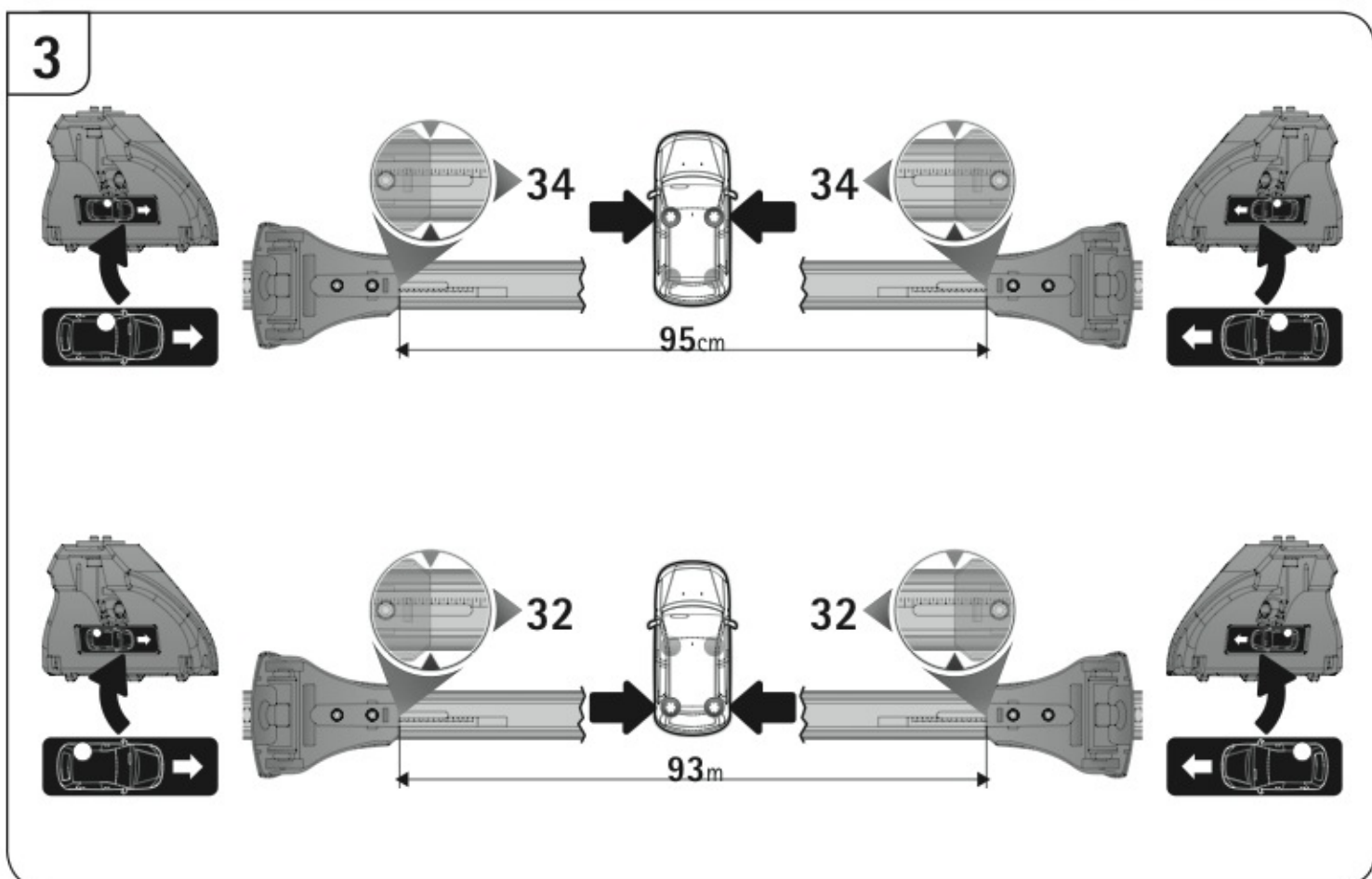
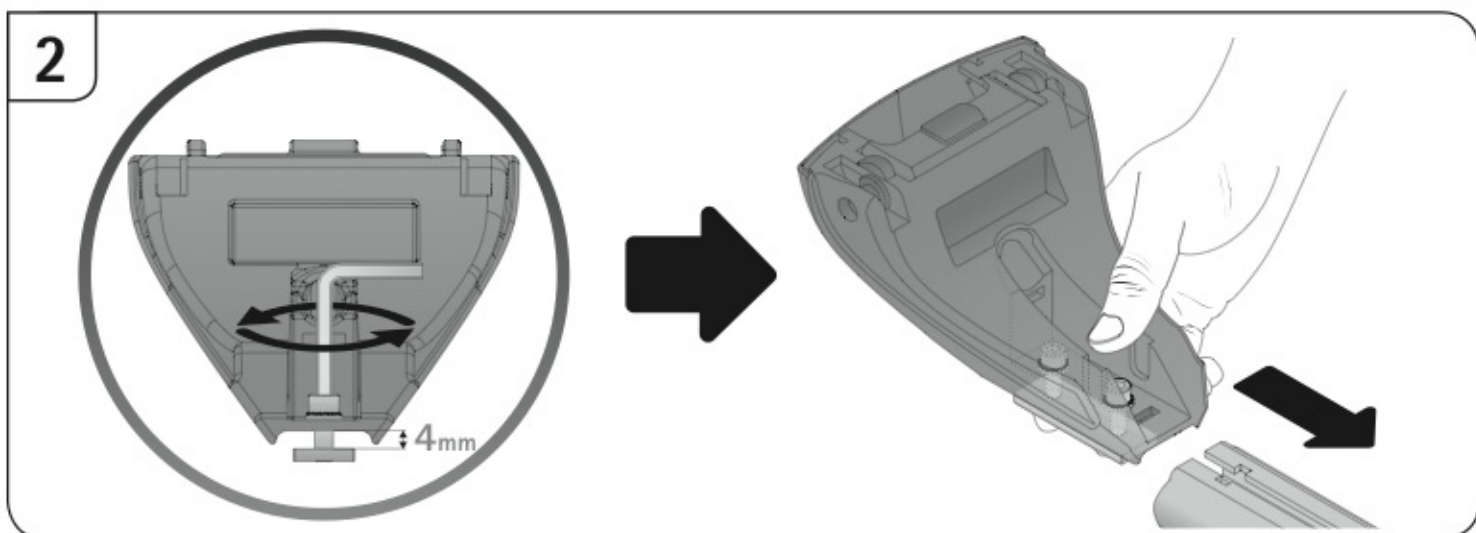
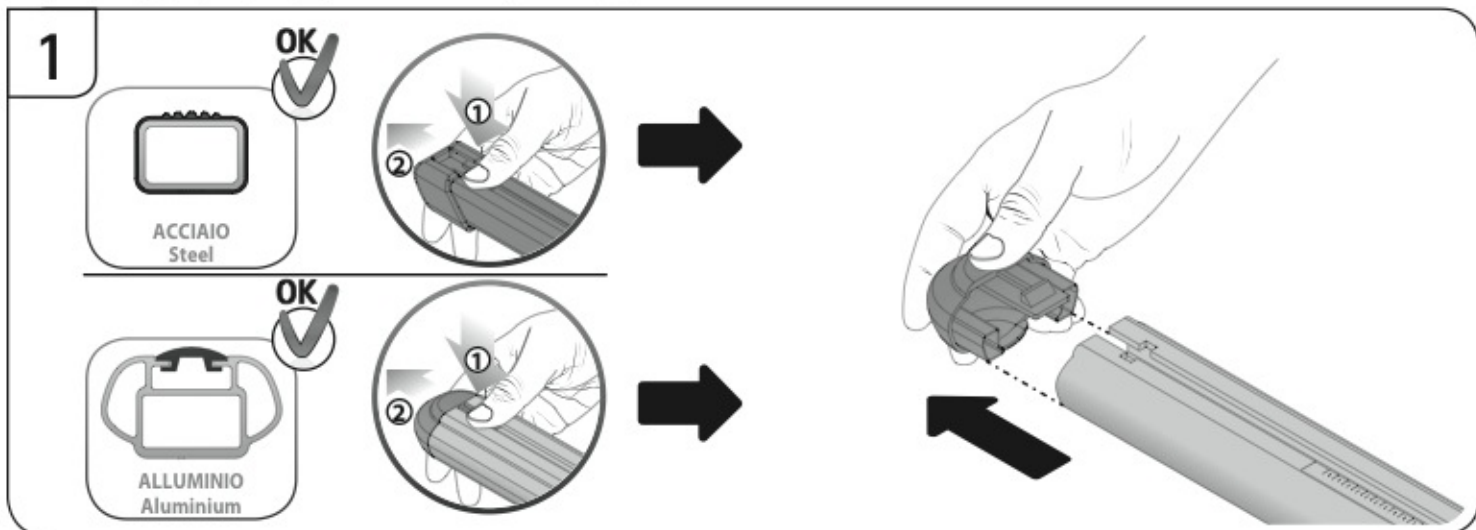
BMW X1
(no railing)



9/09 →

N21113

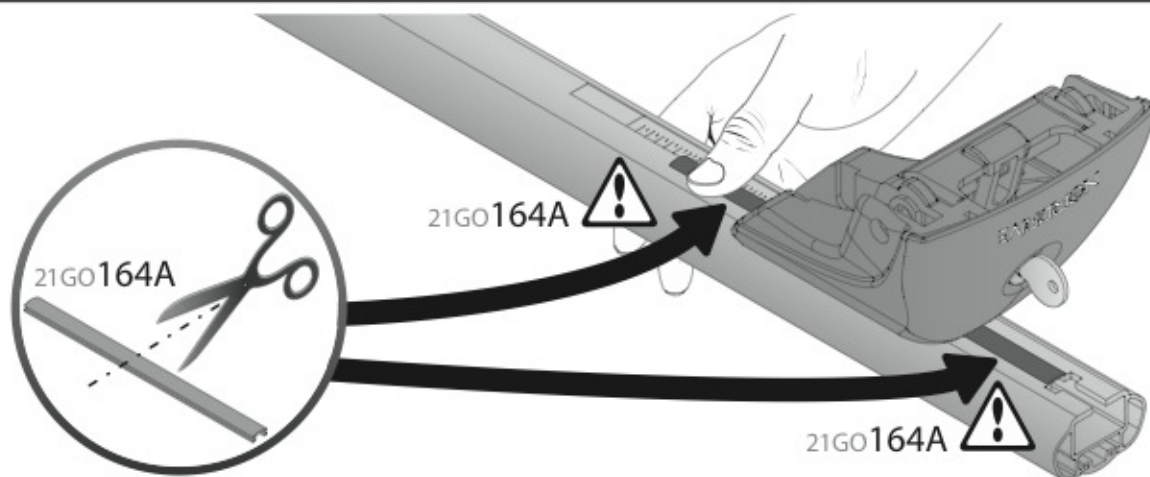




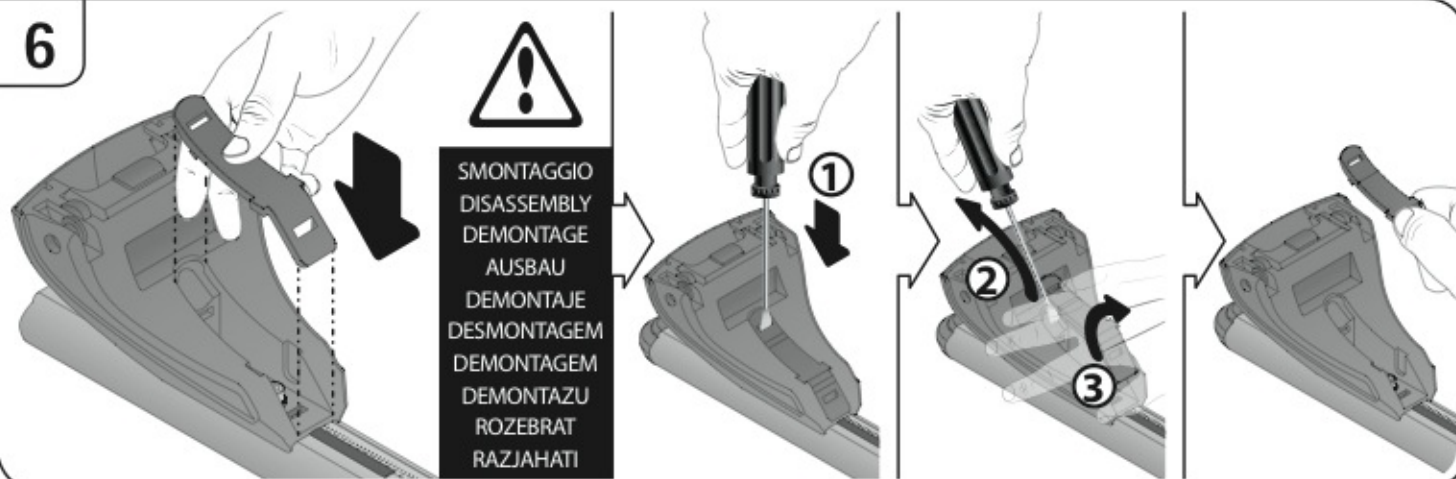
4



5

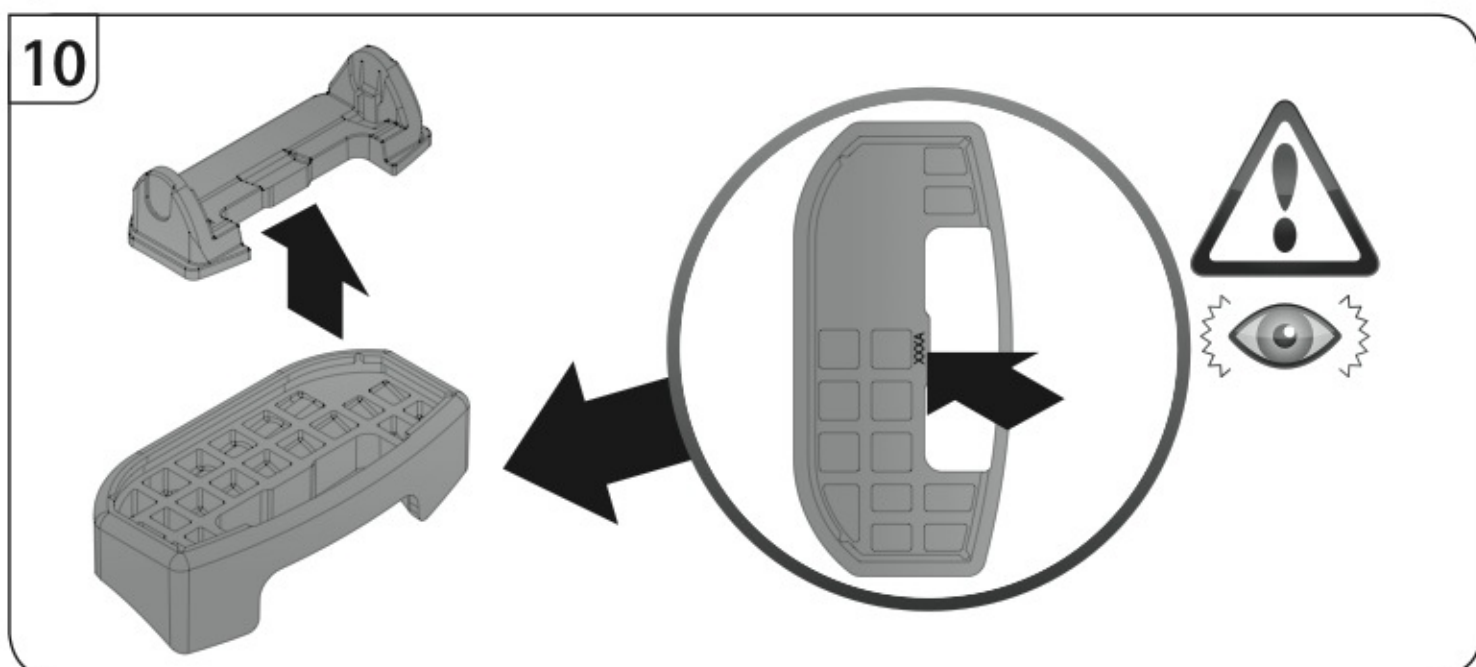
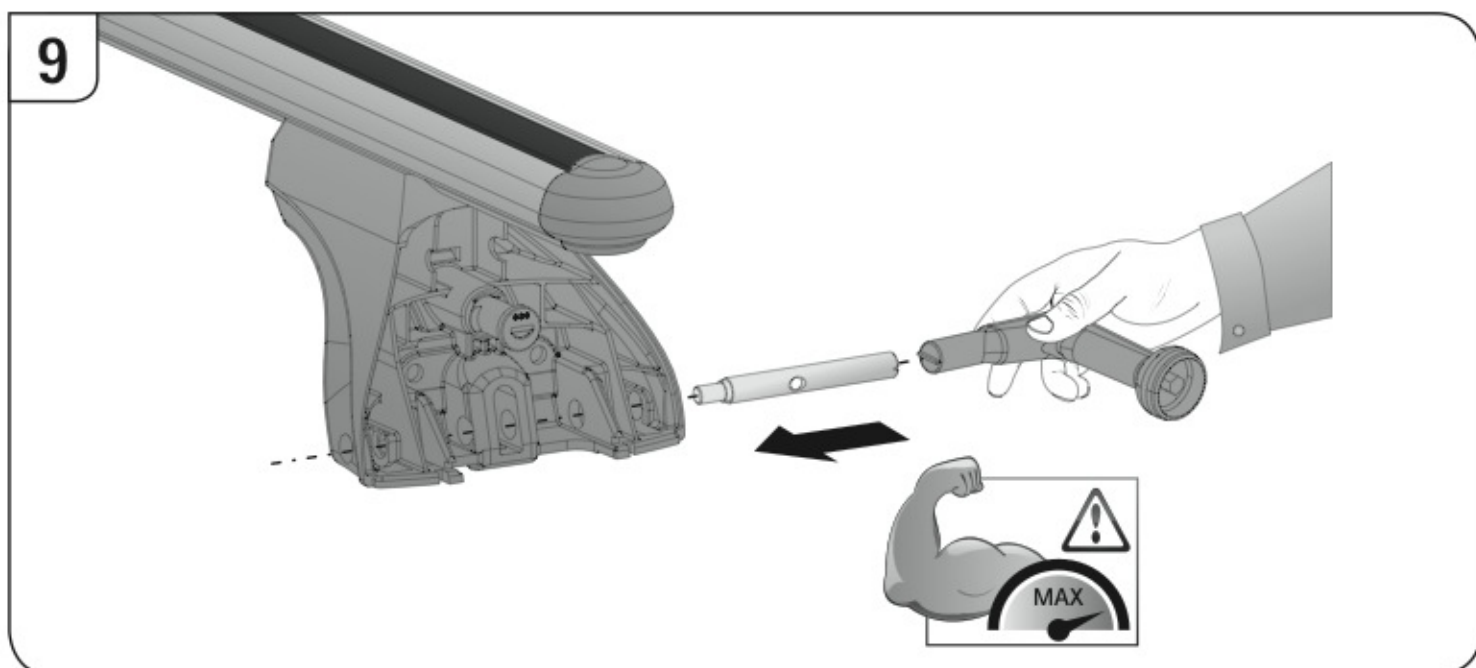
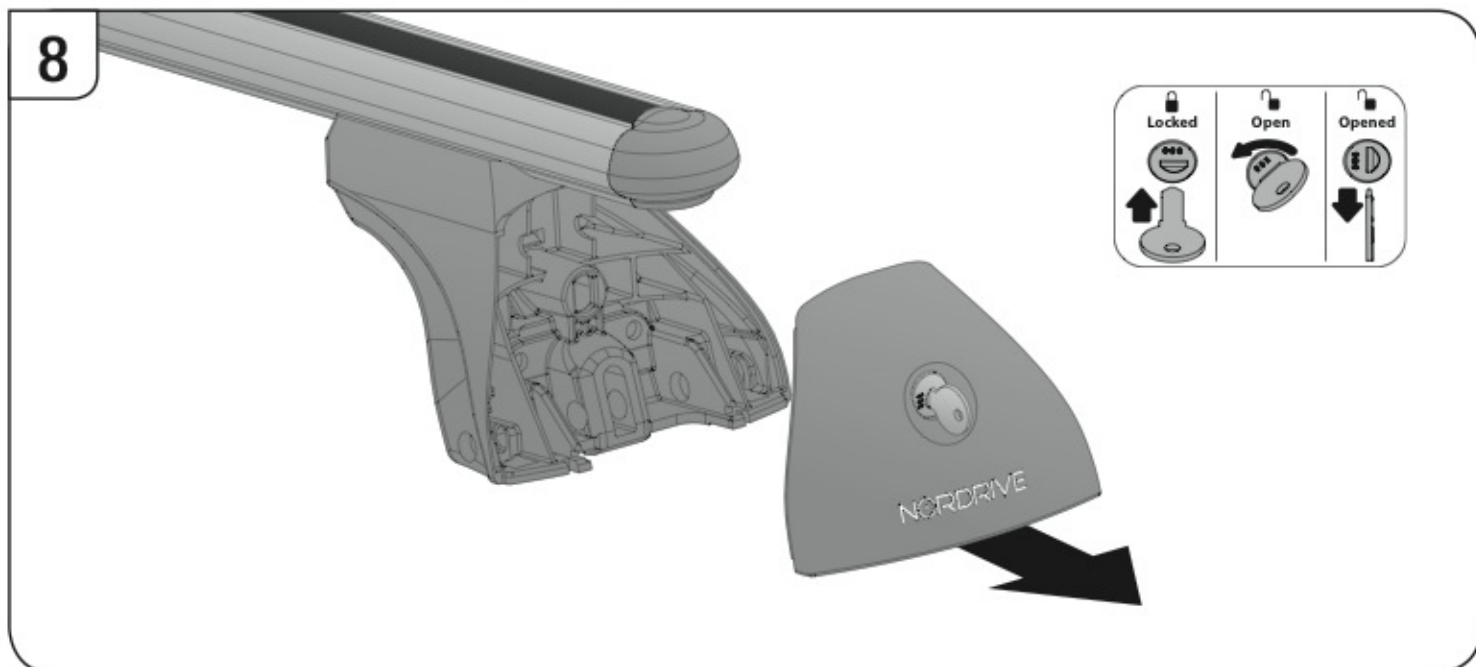


6

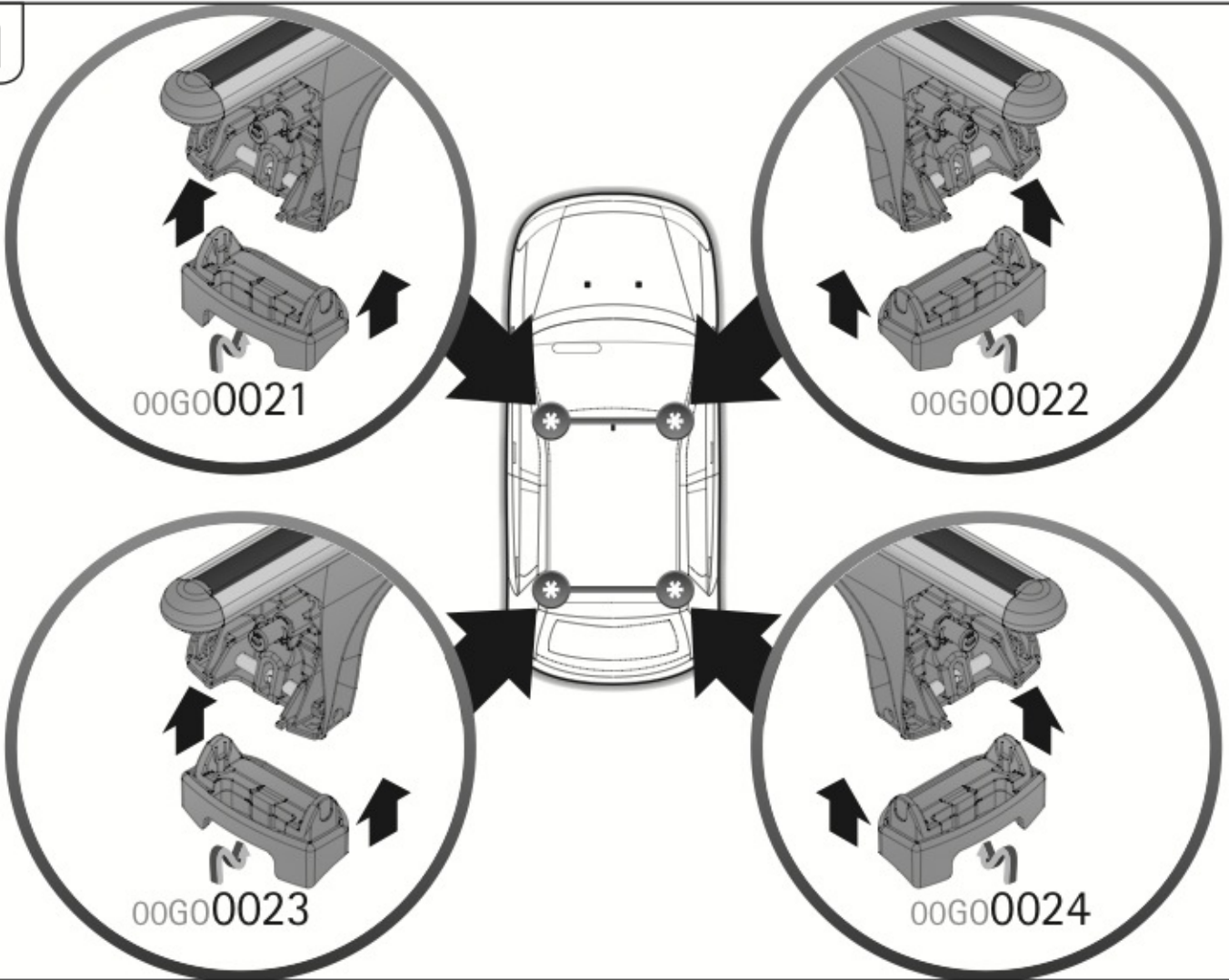


7

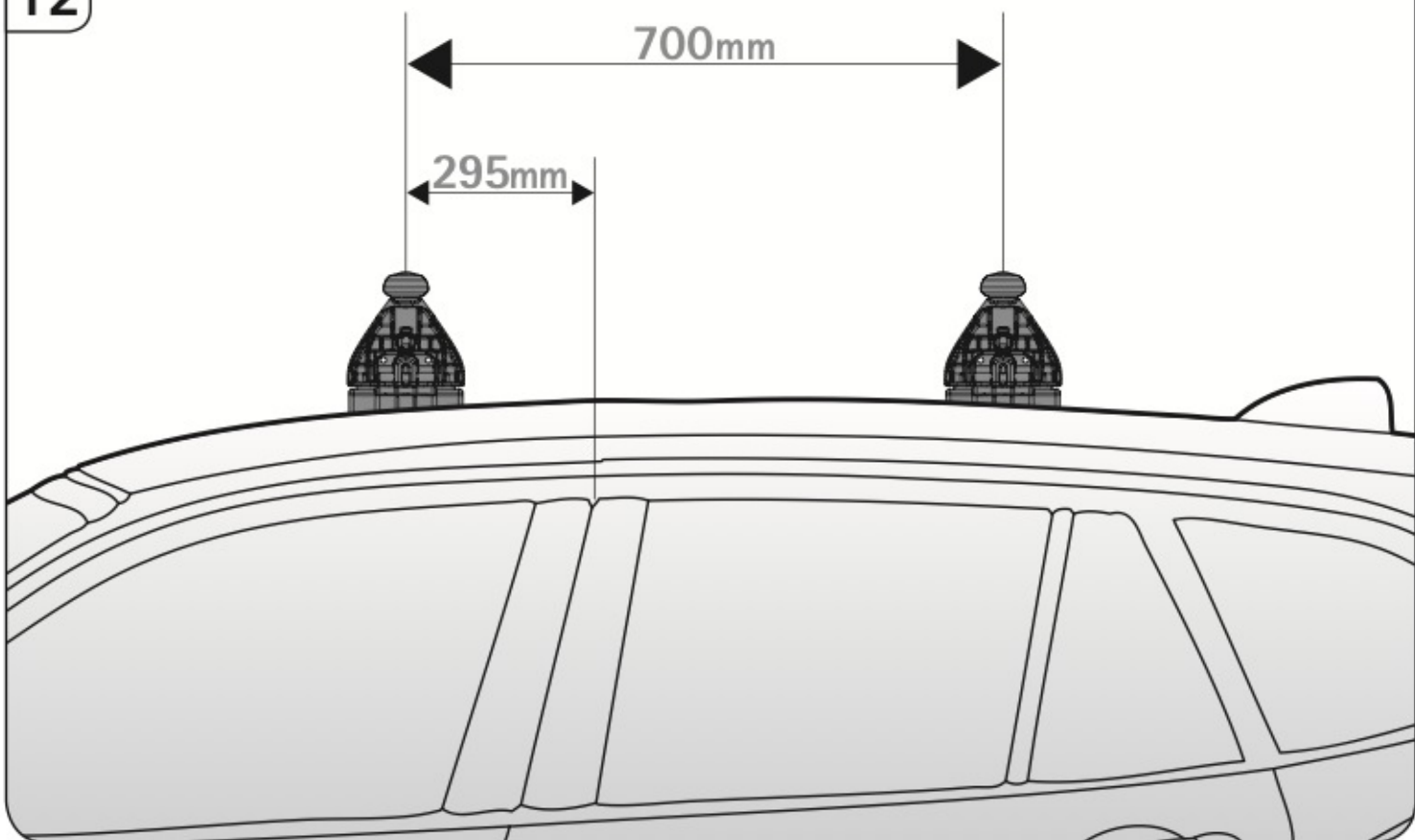




11



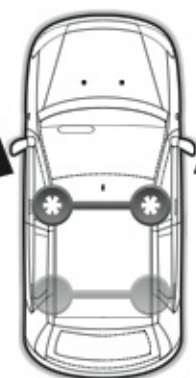
12



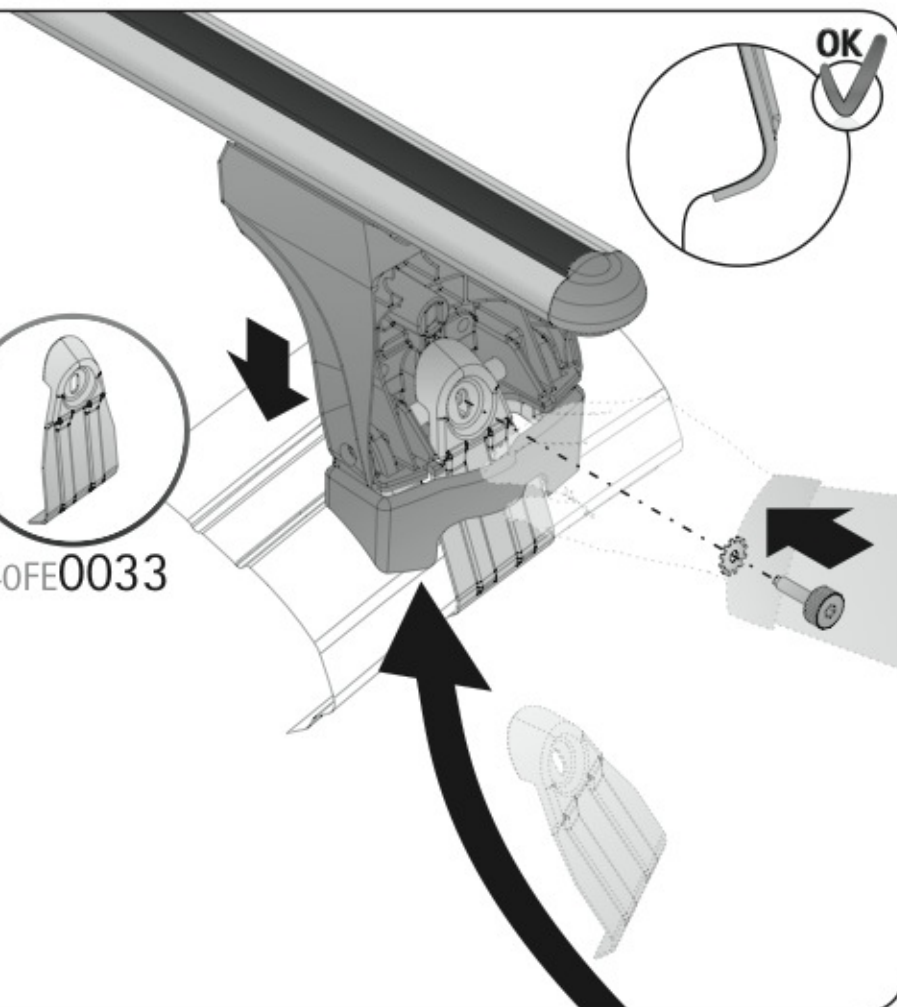
13



40FE0032



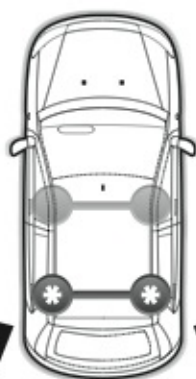
40FE0033



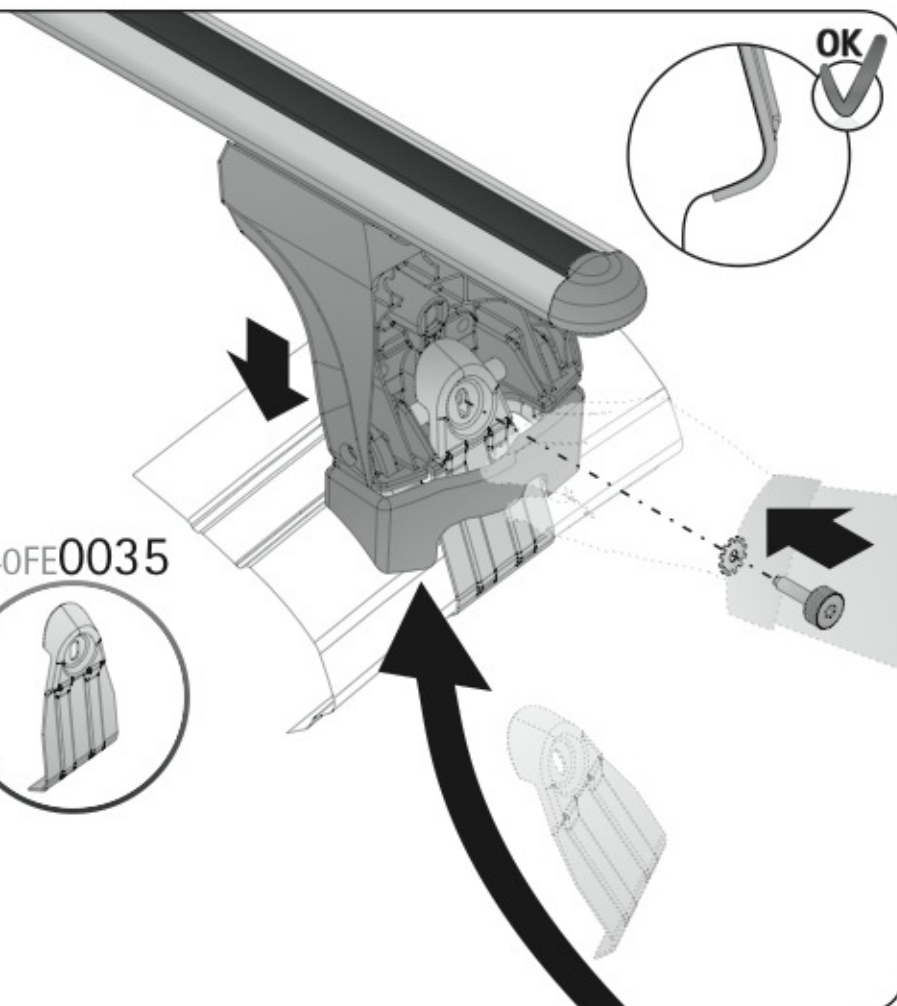
14



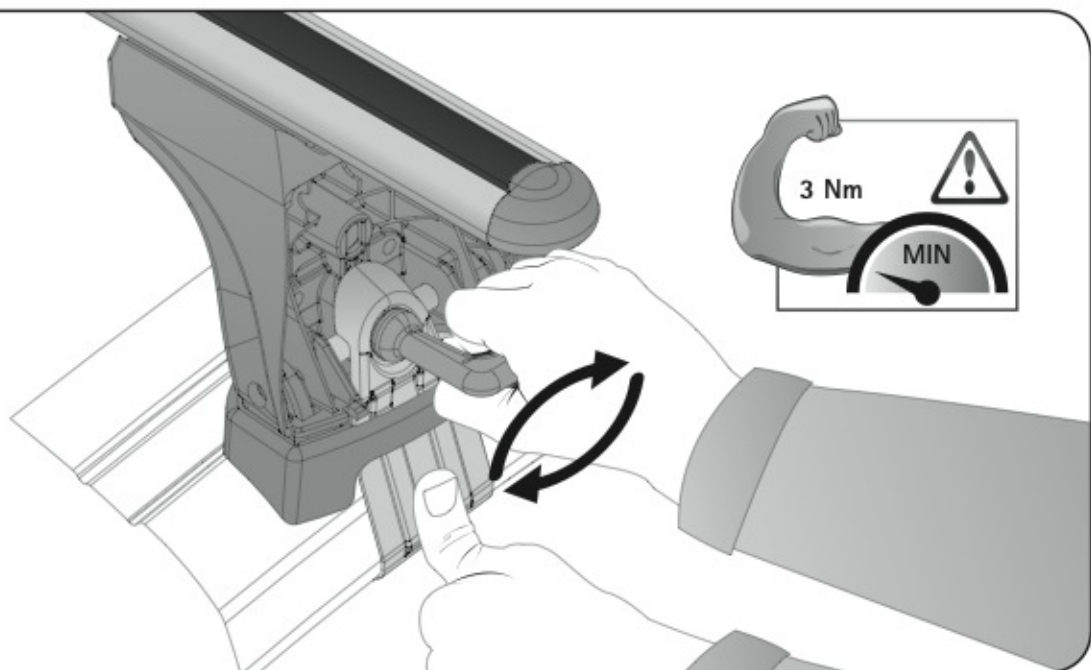
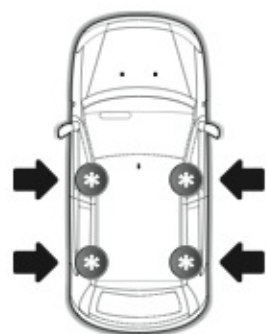
40FE0034



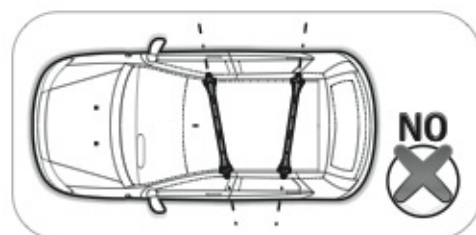
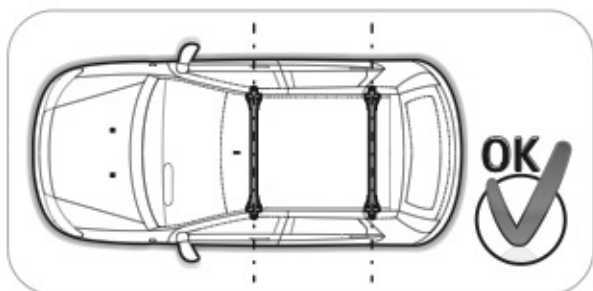
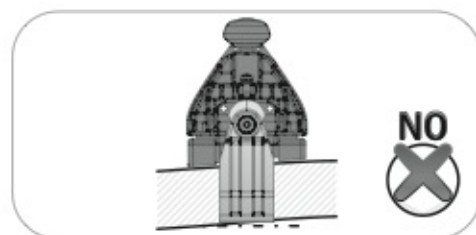
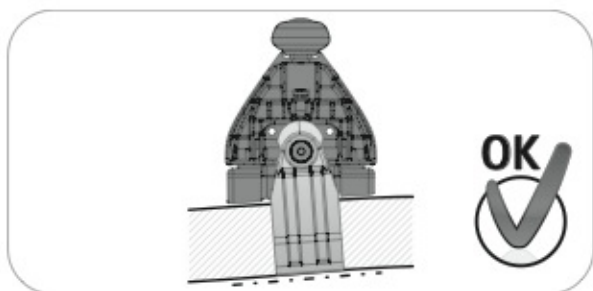
40FE0035



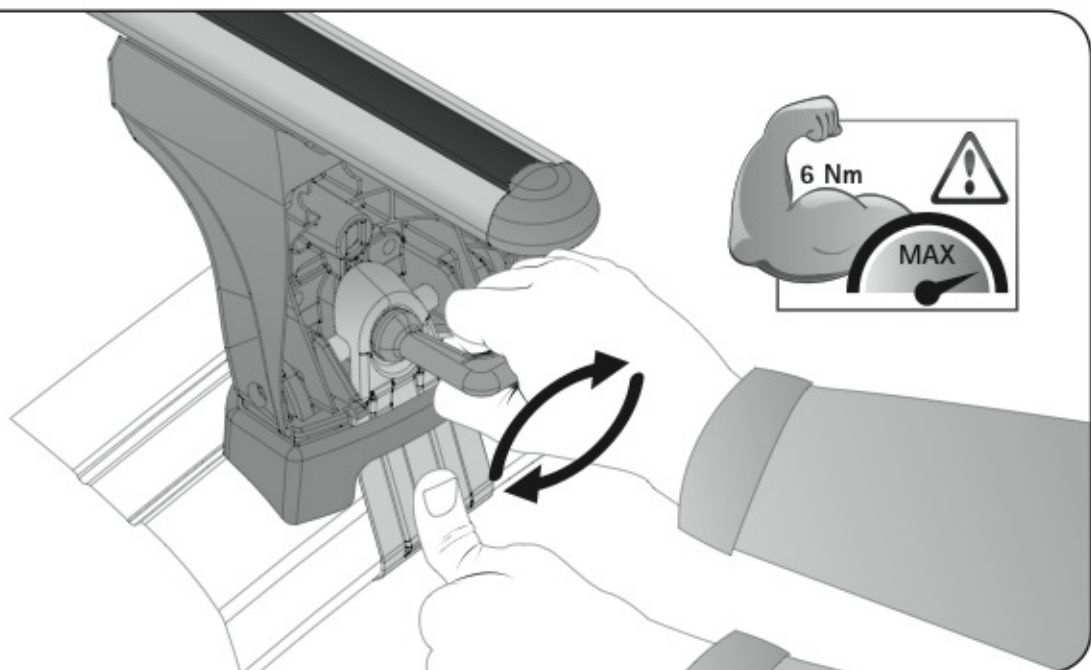
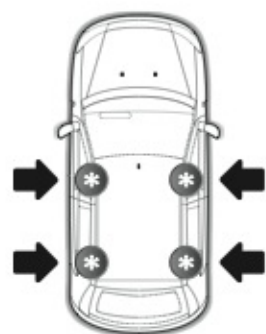
15



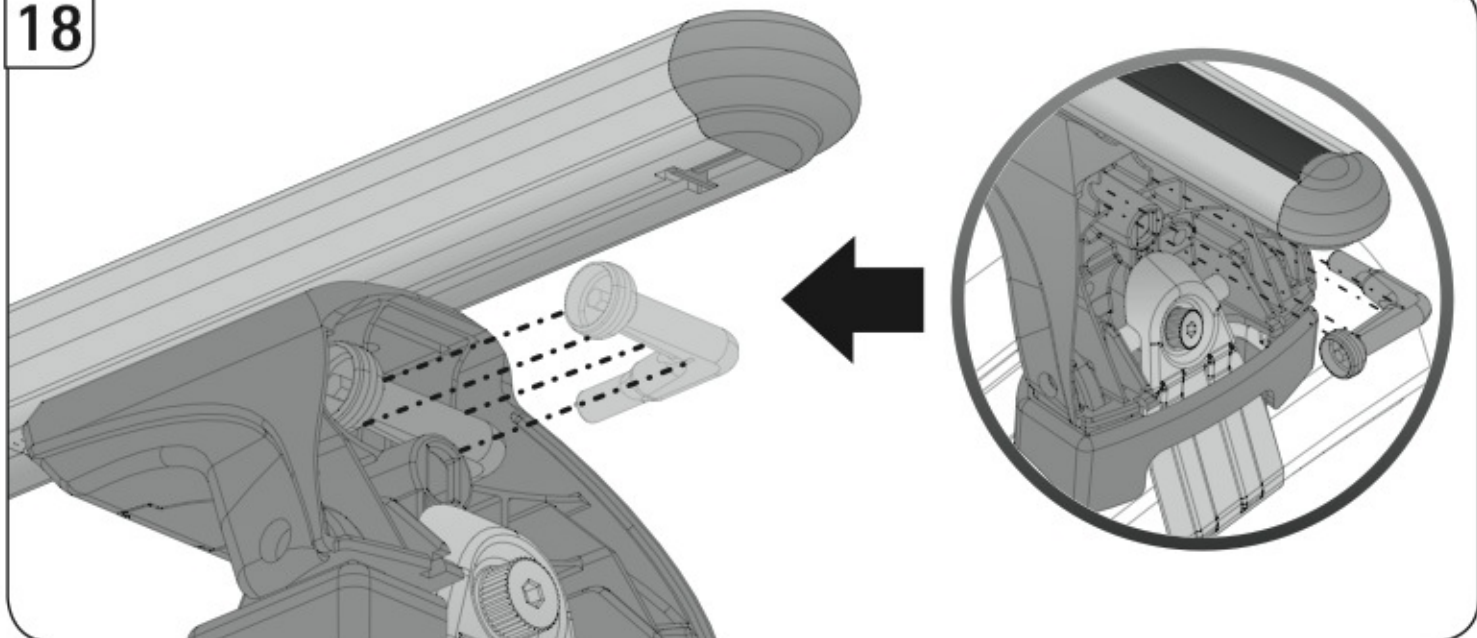
16



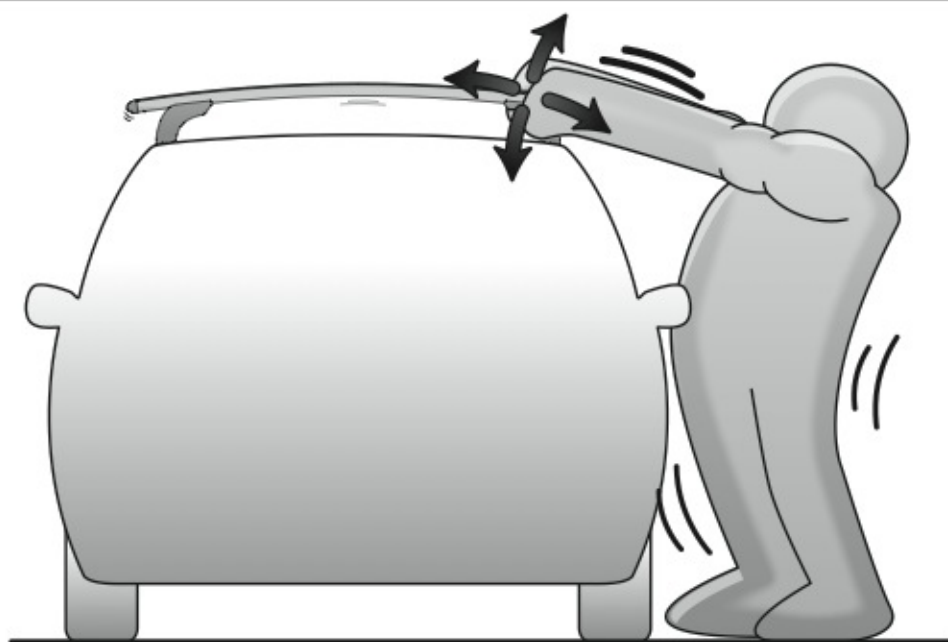
17



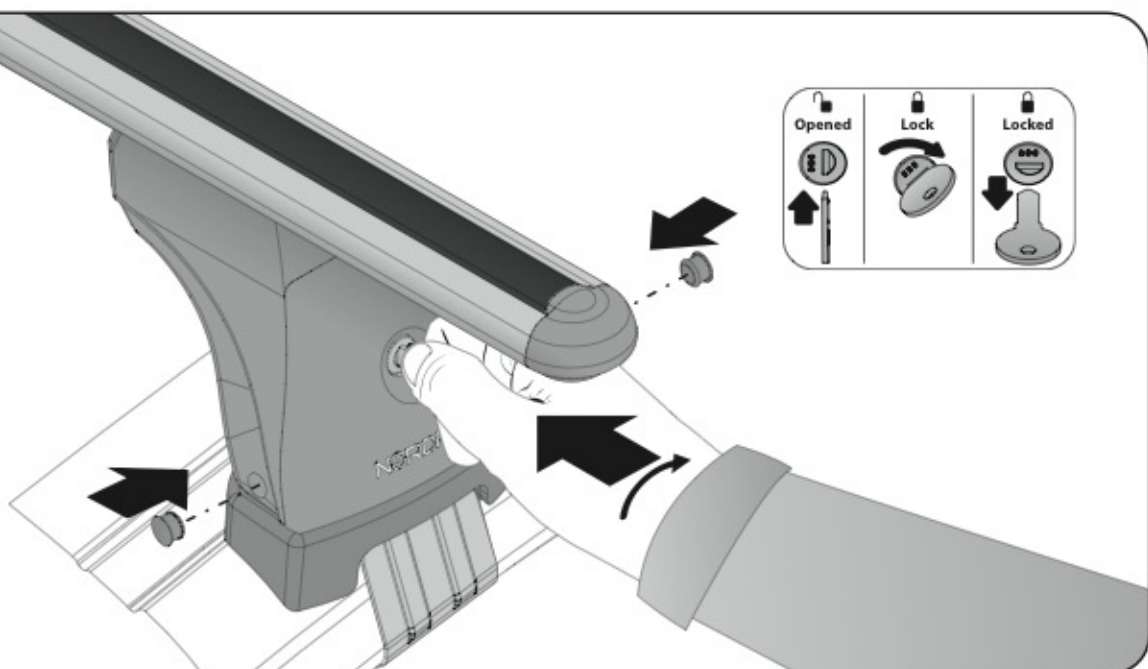
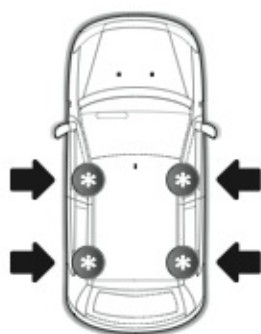
18



19



20



EVOS

EVOLUZIONE ZERO SYSTEM

NORDRIVE®
TRANSPORT SOLUTIONS

is a registered trade mark of

LAMPA S.p.A.

46019 Viadana (MN) ITALY

Ditta certificata UNI EN ISO 9001:2008

www.nordrive.it

www.lampa.it