

**PEUGEOT
3008**



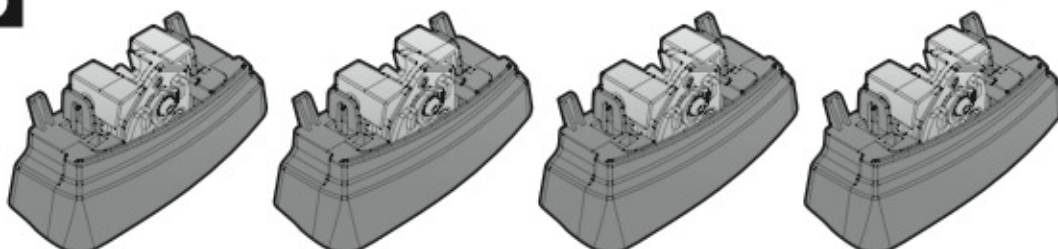
**PEUGEOT
5008**
(no Allure)



Art.
N21156

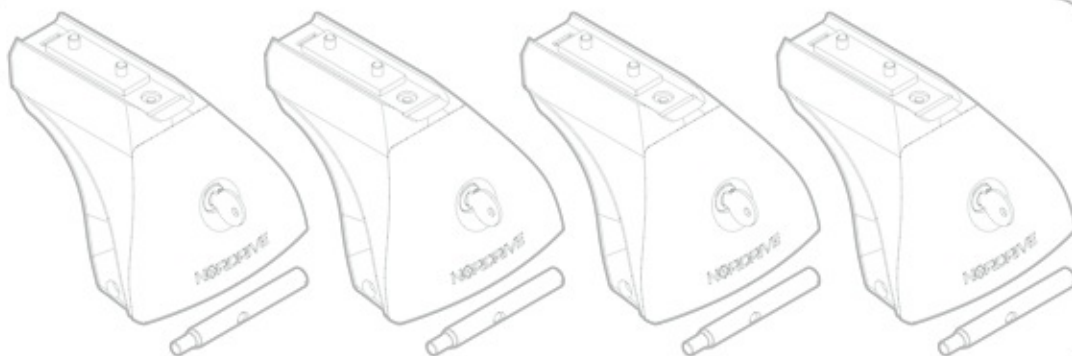


C



Art. **N20001**

B



PEUGEOT 3008



PEUGEOT 5008 (no Allure)

Art. **N15020**



A

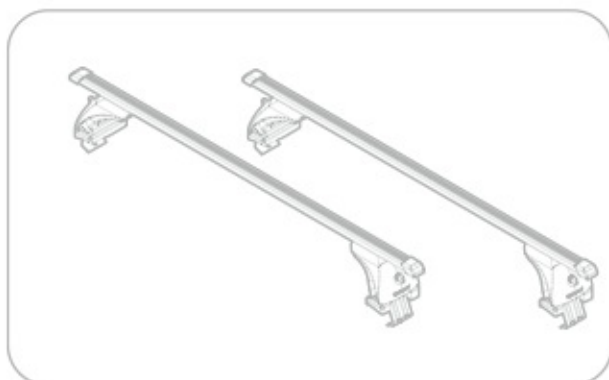
ACCIAIO
Steel

Art. **N15025**



A

ALLUMINIO
Aluminium



Art. **N15021**



A

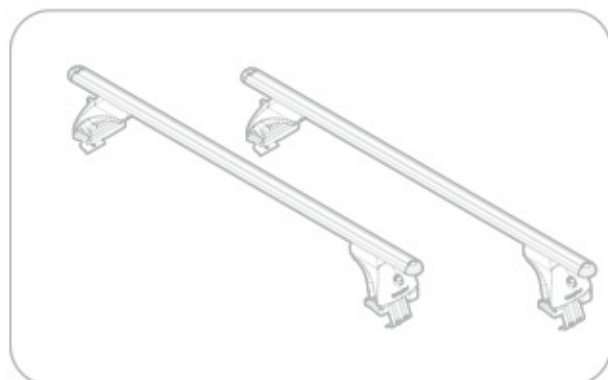
ACCIAIO
Steel

Art. **N15026**





A

ALLUMINIO
Aluminium



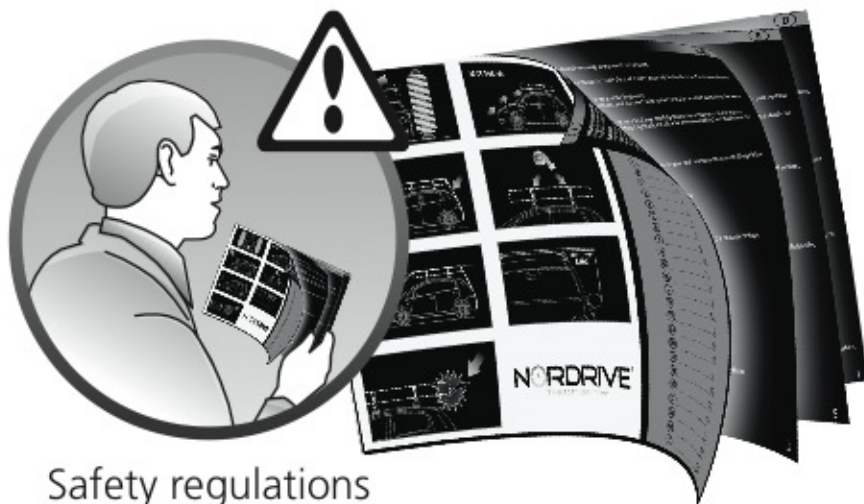
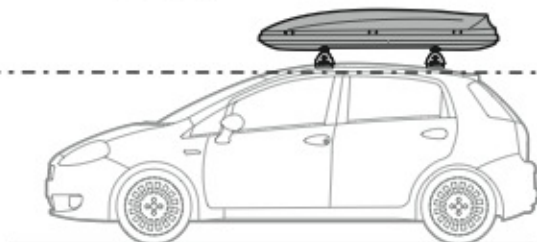


 +  +  = max: **75kg**

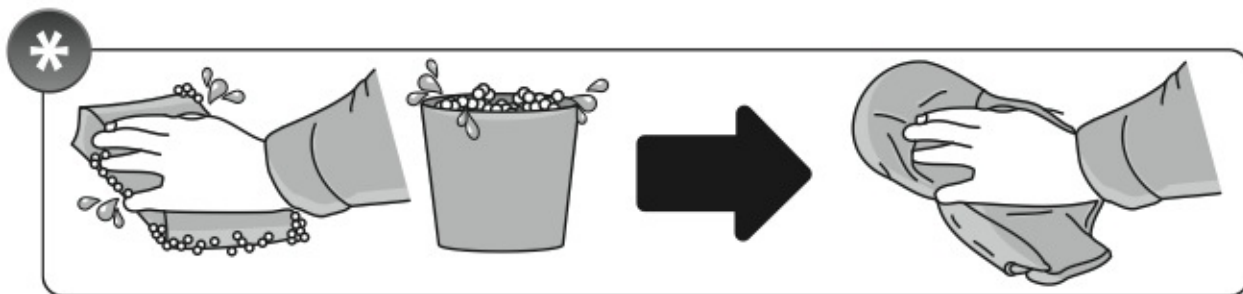
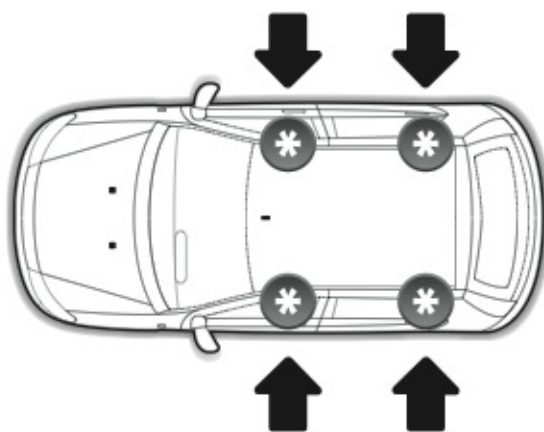
5,5kg



max: **???**kg



Safety regulations





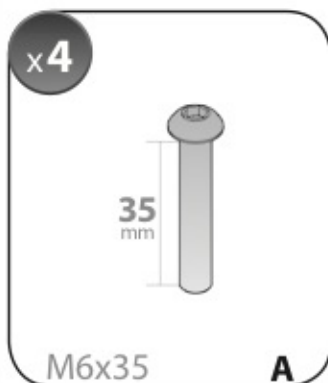
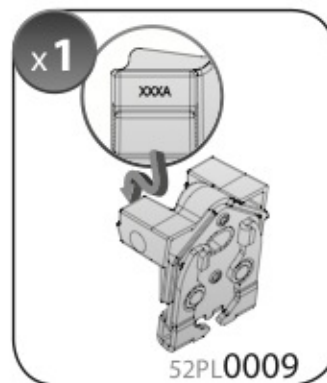
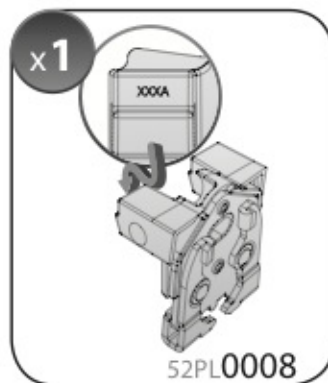
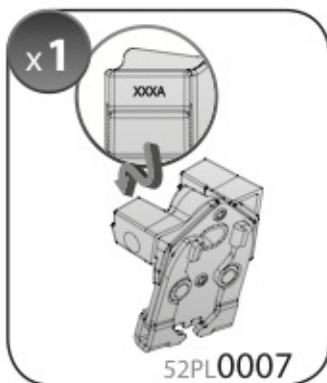
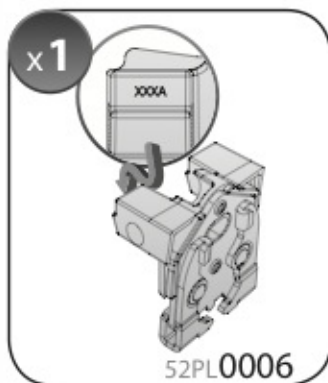
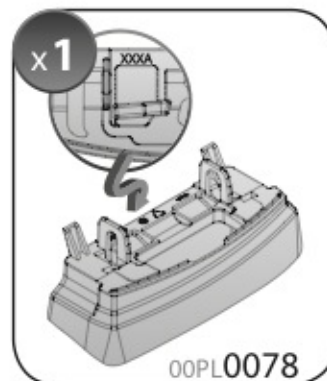
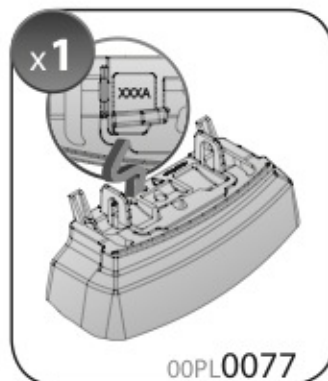
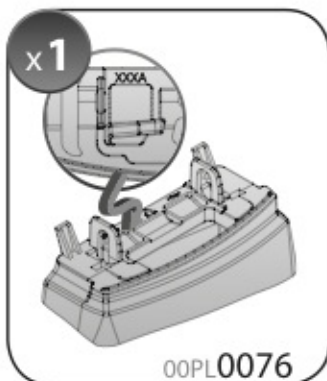
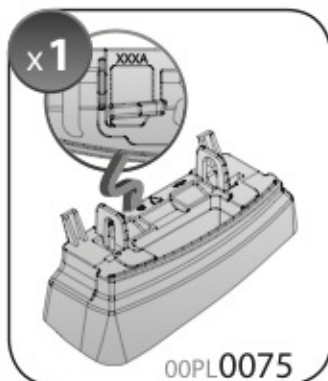
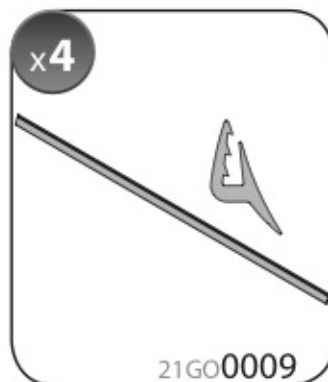
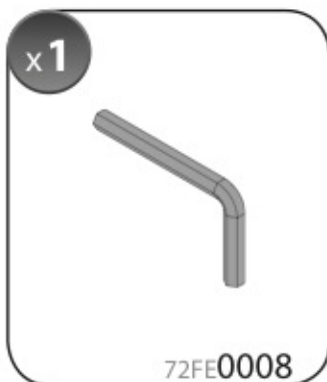
**PEUGEOT
3008**

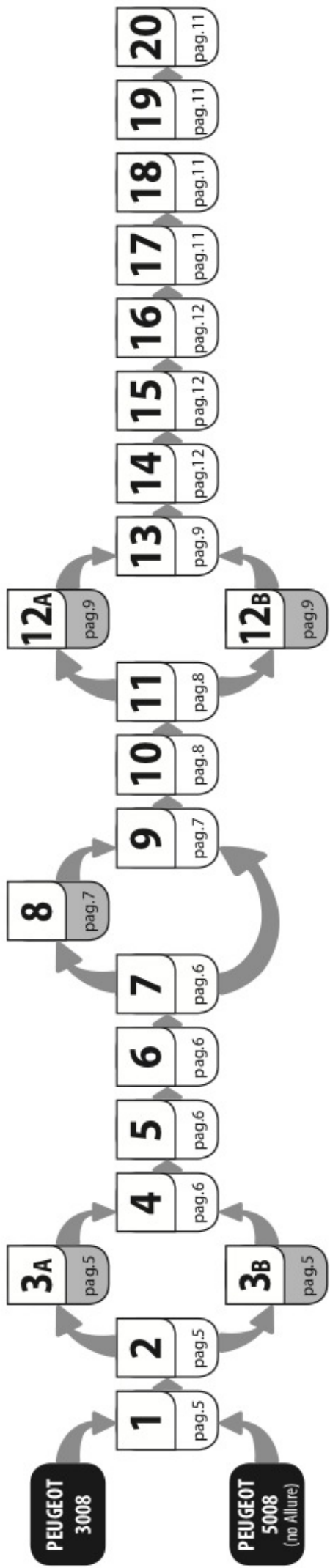


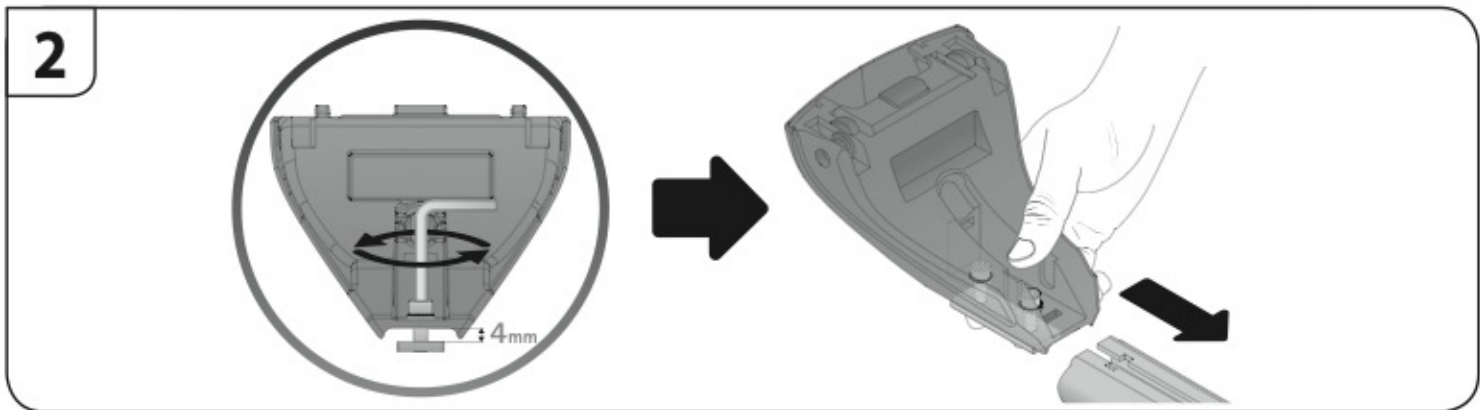
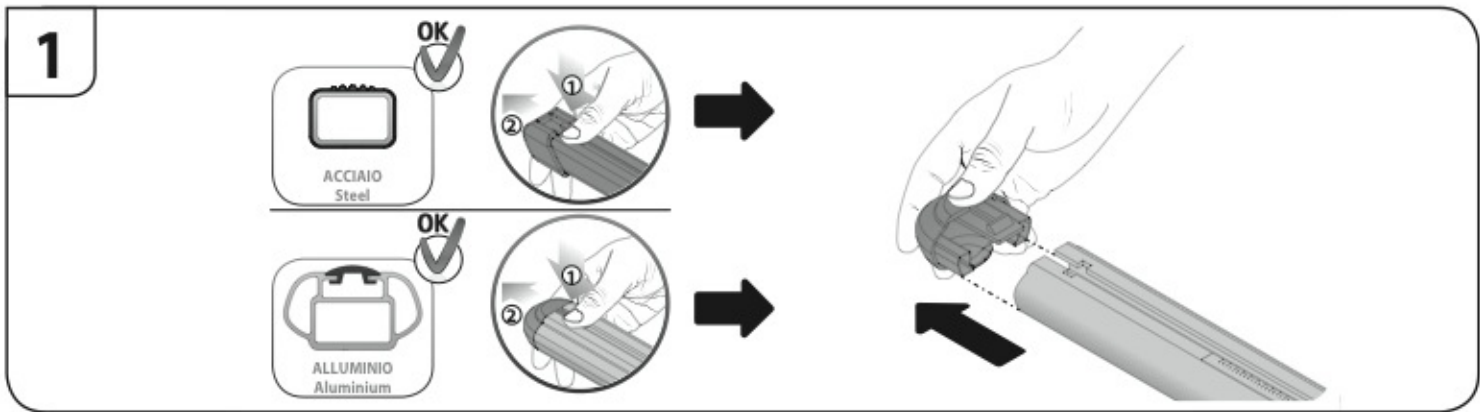
**PEUGEOT
5008**
(no Allure)



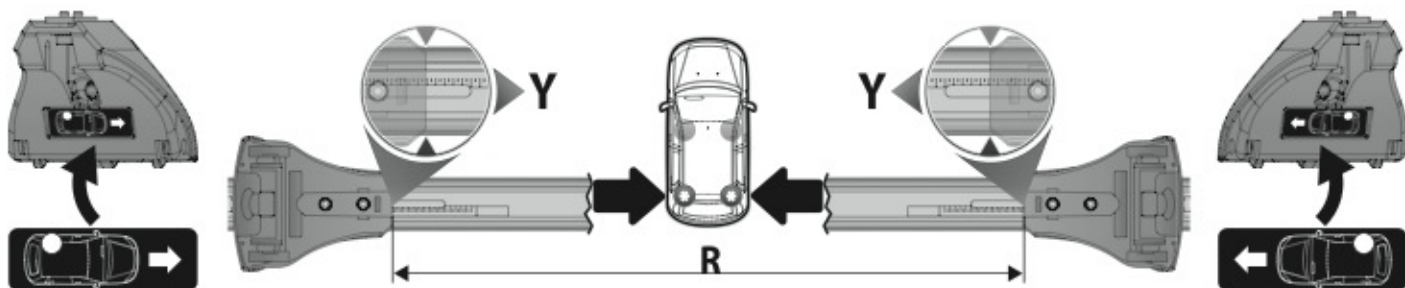
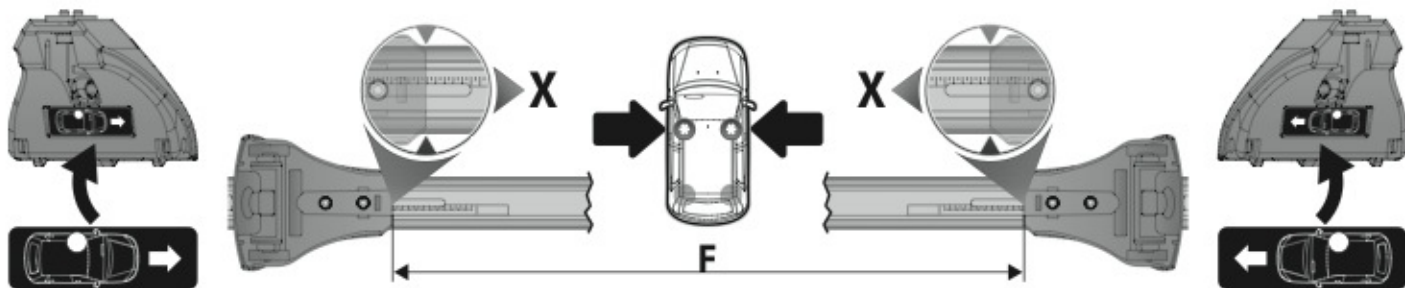
Art. **N21156**



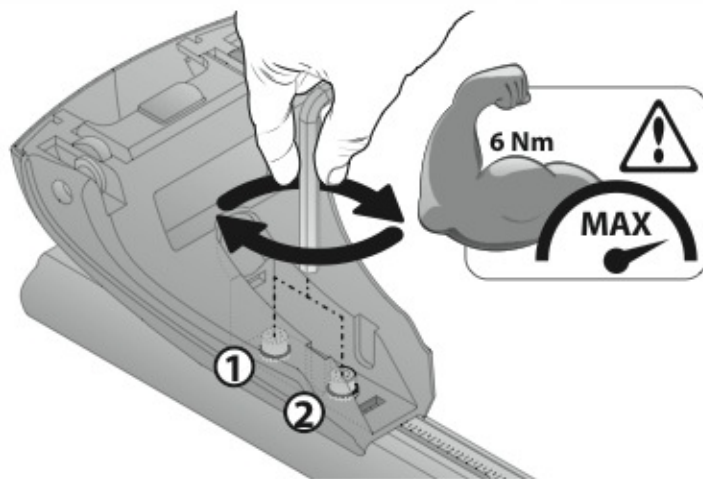




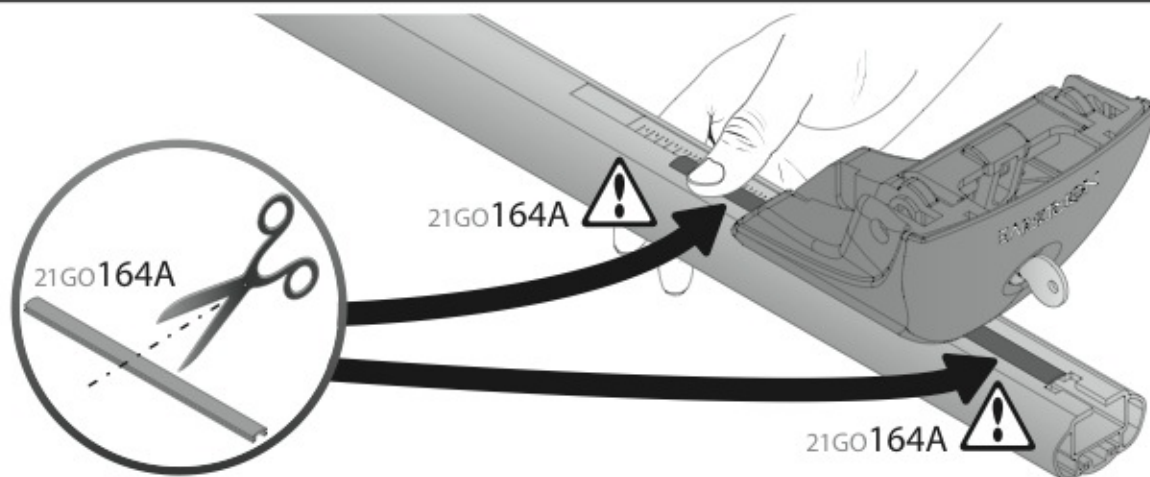
3A	PEUGEOT 3008	5/09 →	33 (F = 94cm)	26 (R = 87cm)	120 cm
3B	PEUGEOT 5008 (no Allure)	11/09 →	33 (F = 94cm)	28 (R = 89cm)	127 cm
			X	Y	



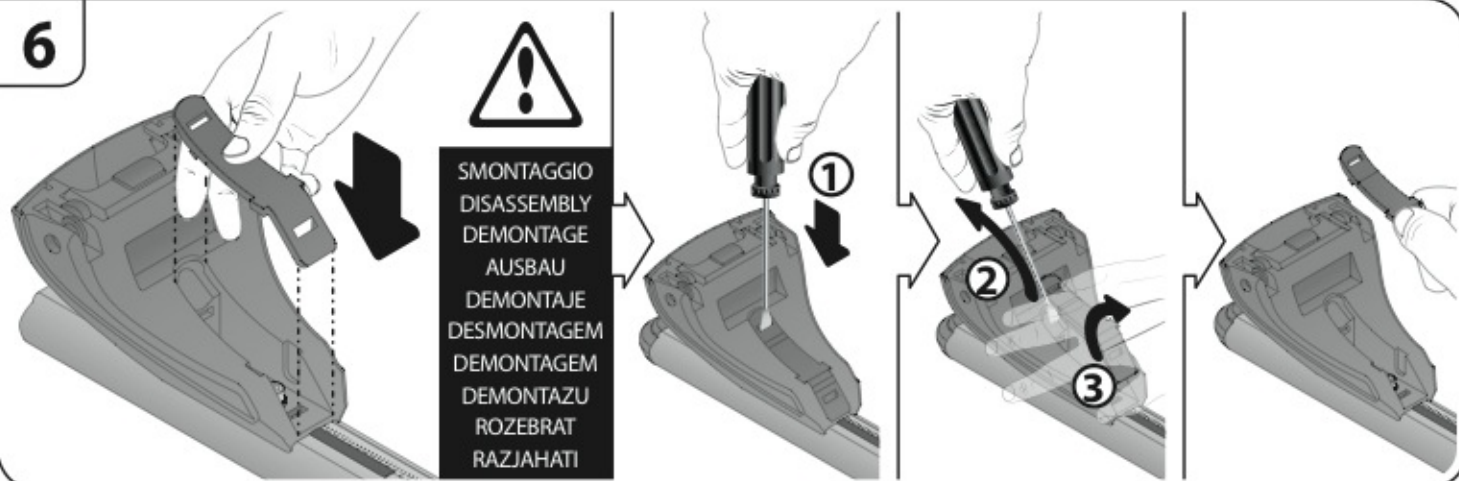
4



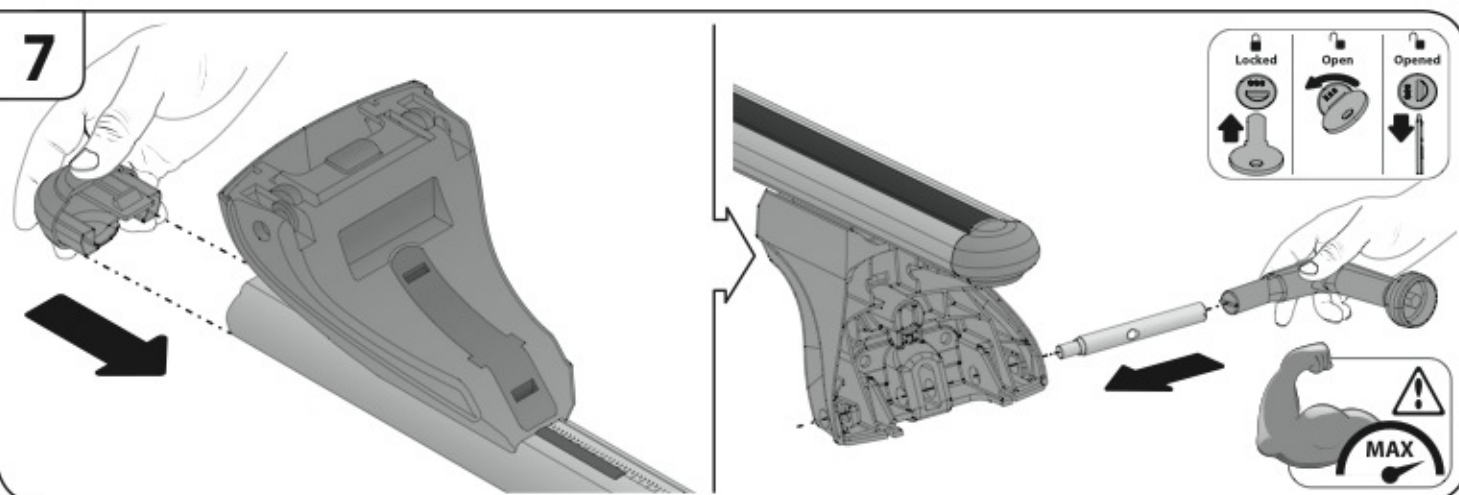
5



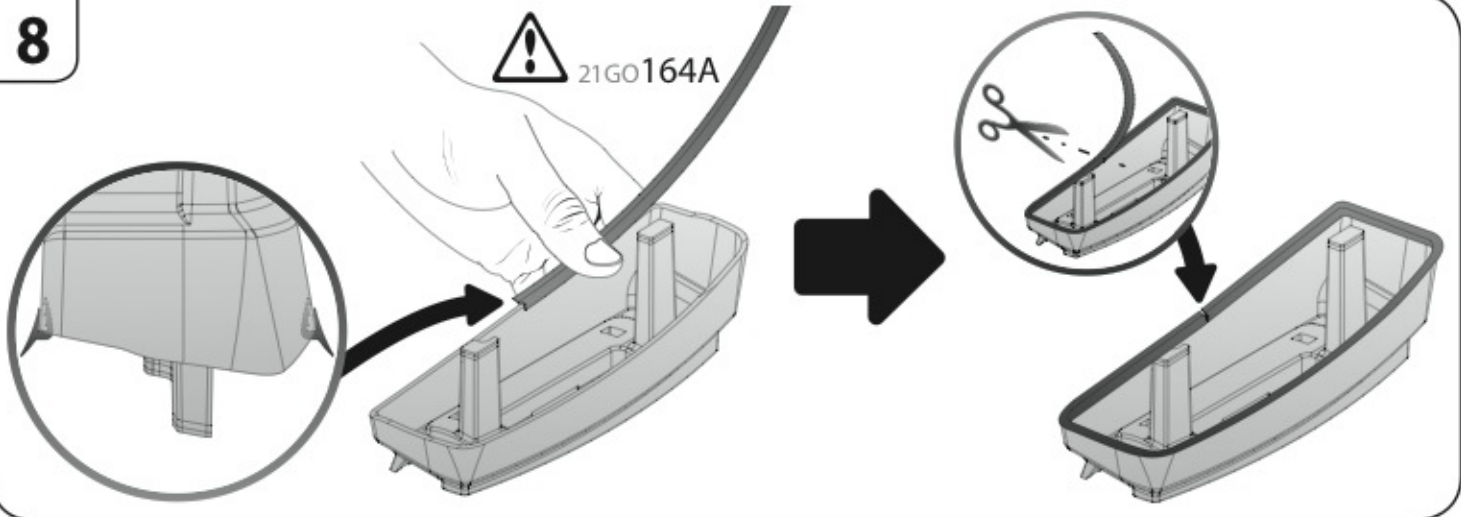
6



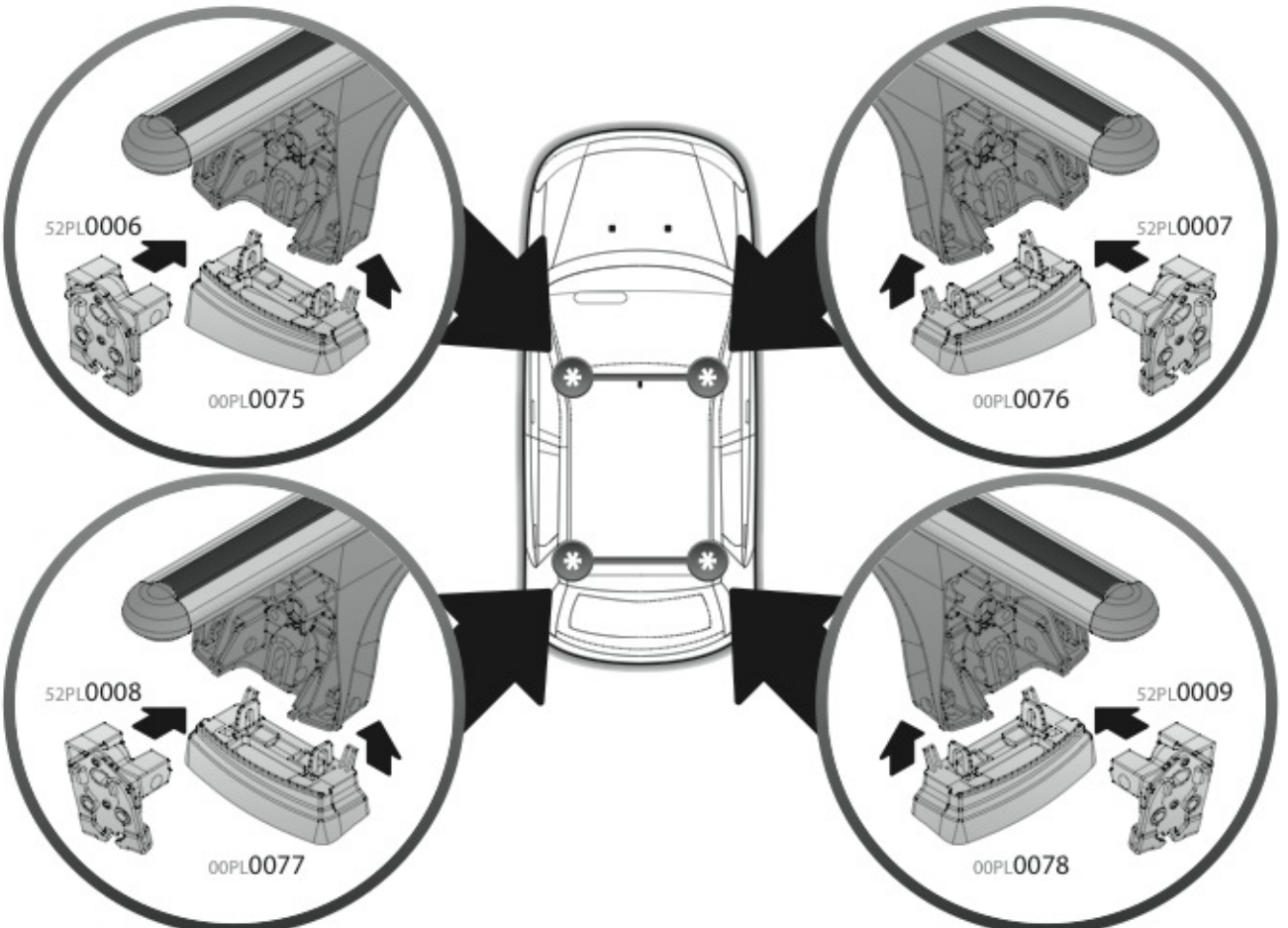
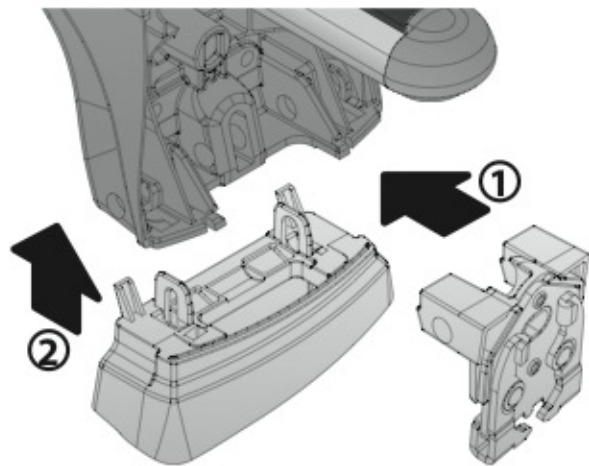
7



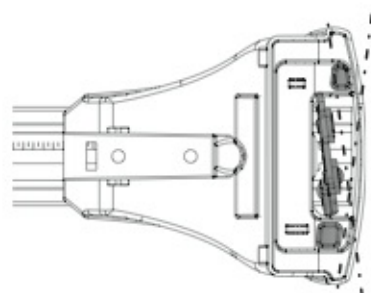
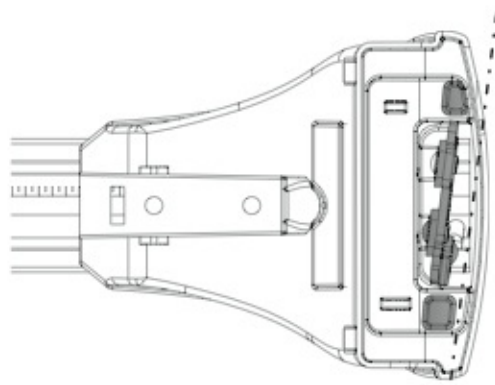
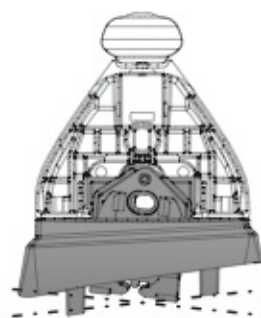
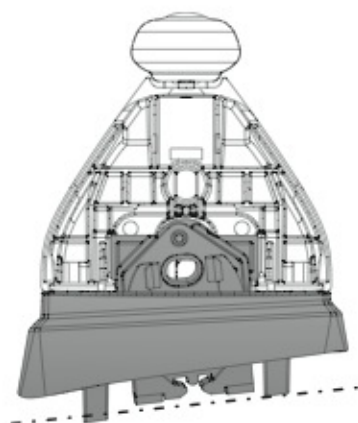
8



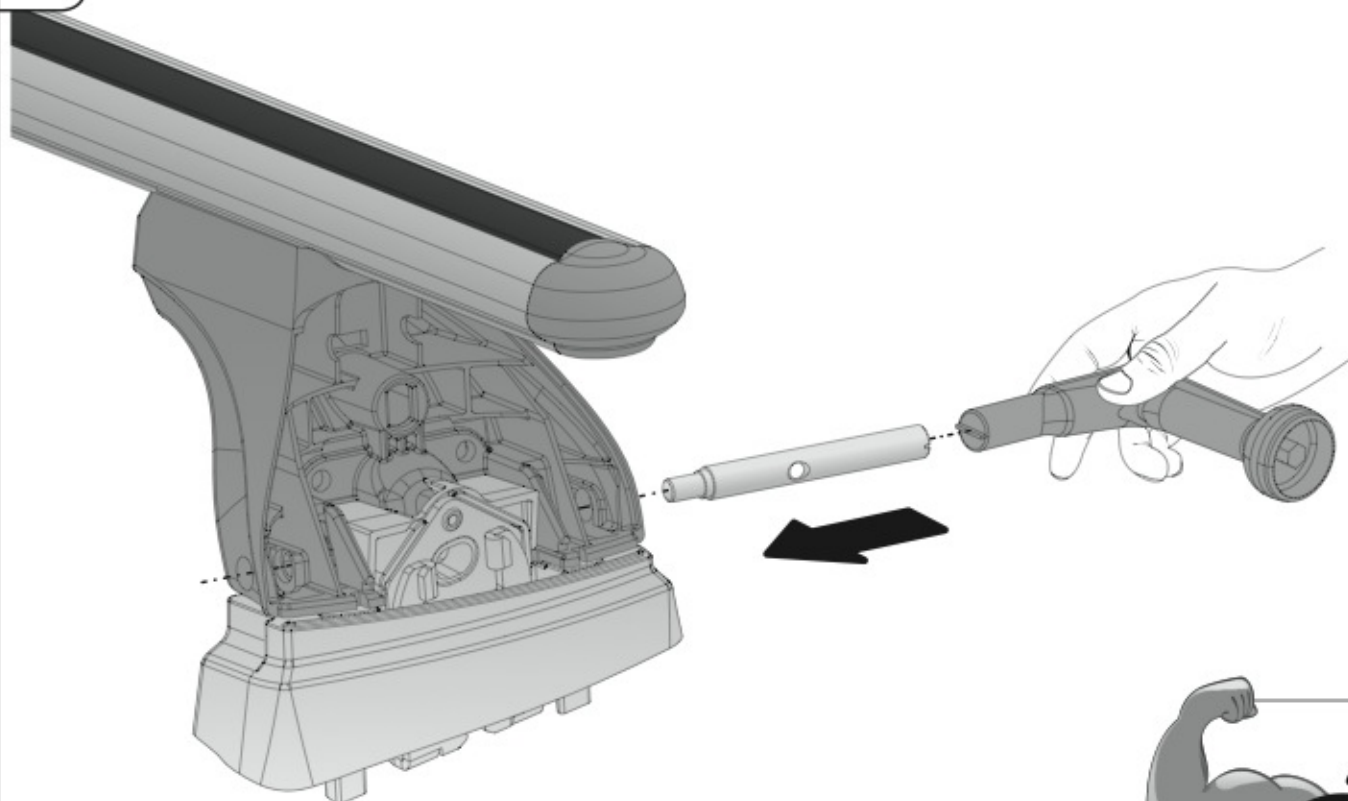
9



10



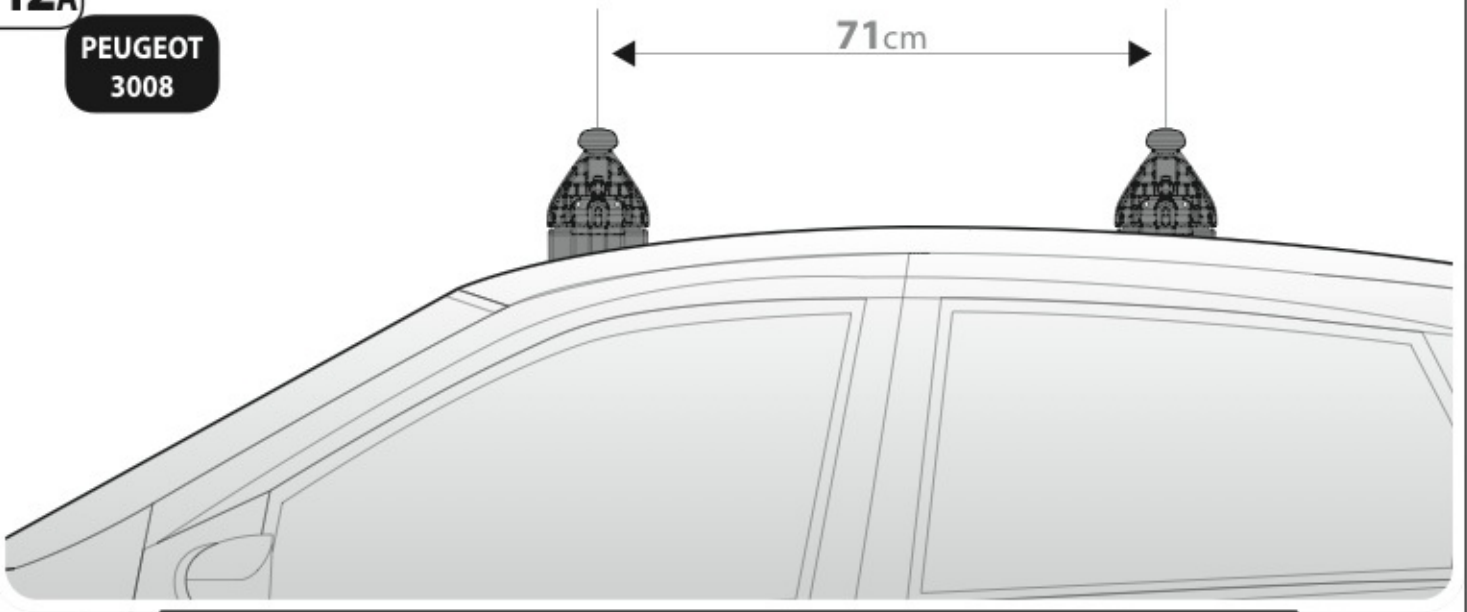
11



12A

PEUGEOT
3008

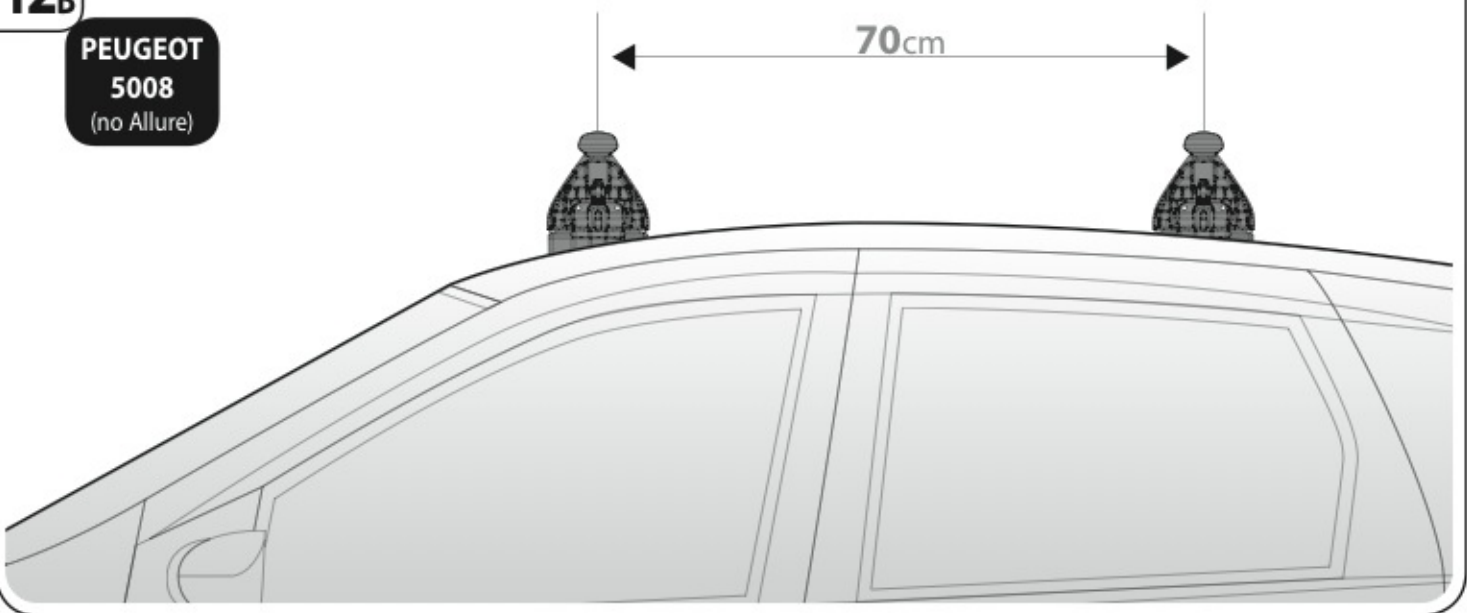
71cm



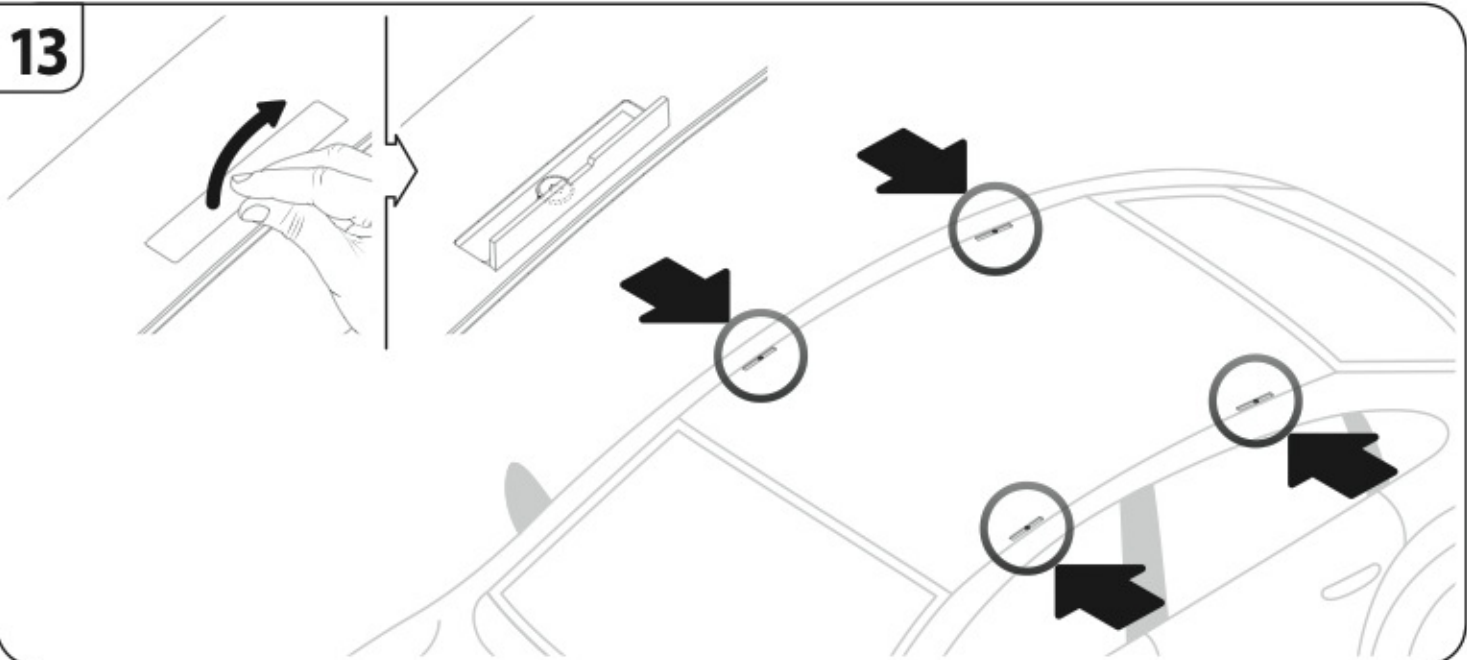
12B

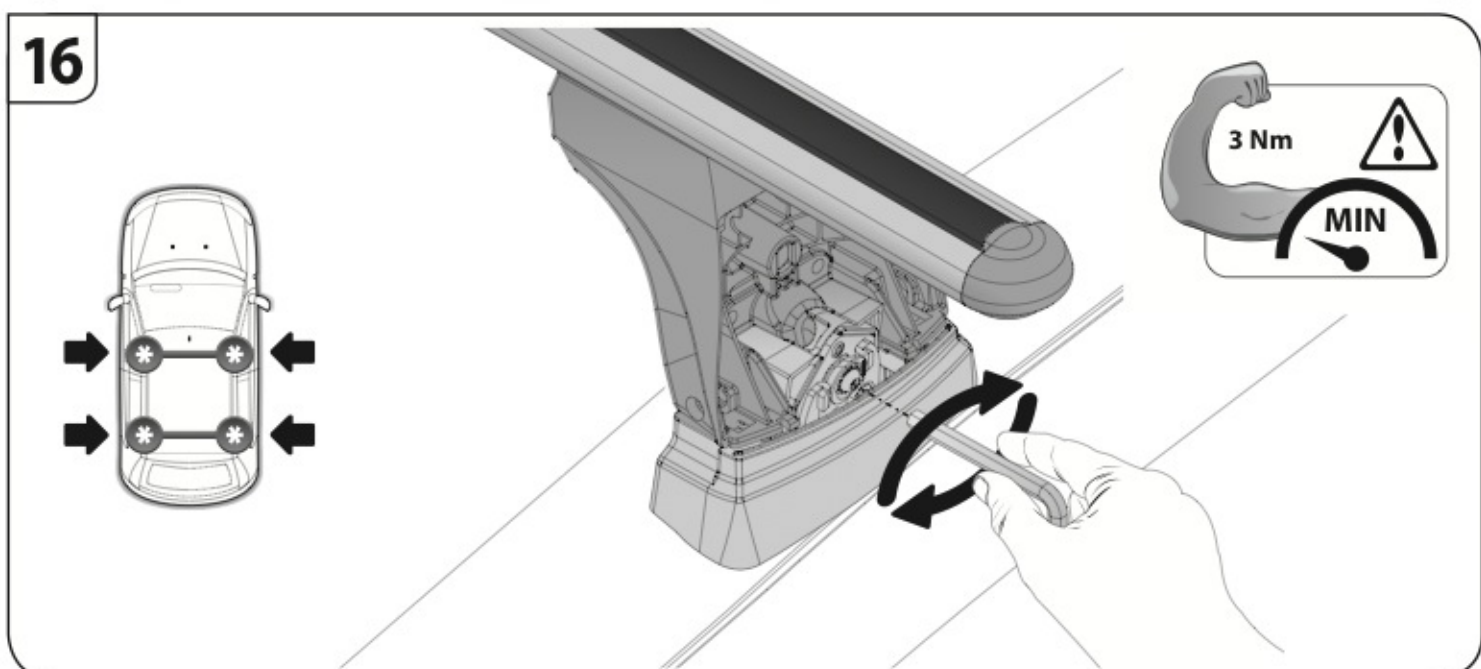
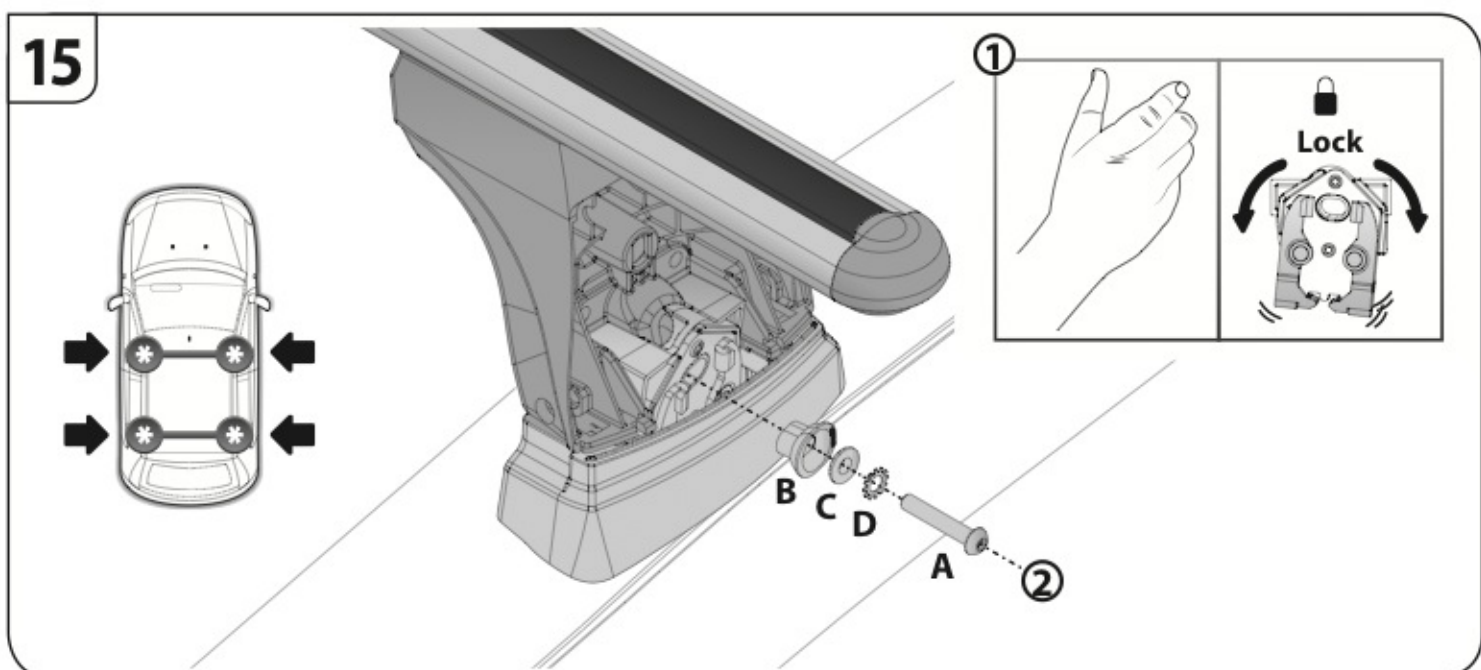
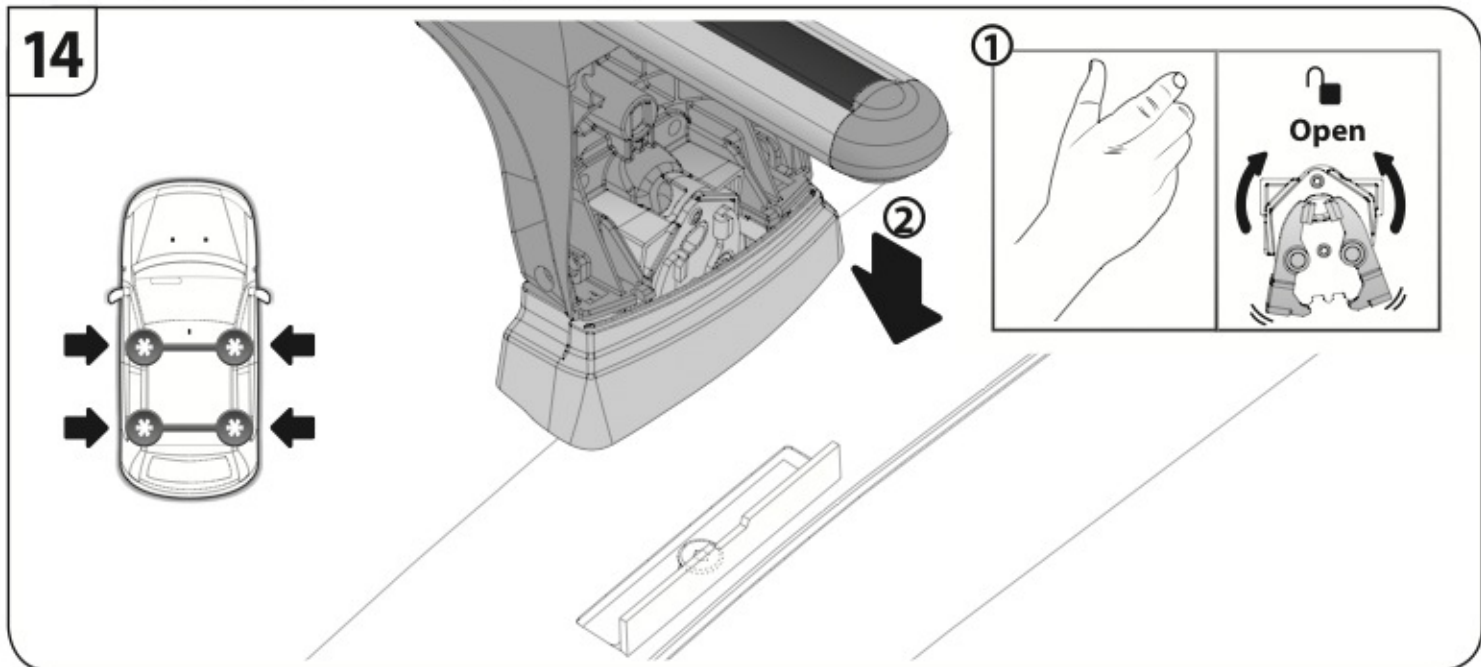
PEUGEOT
5008
(no Allure)

70cm

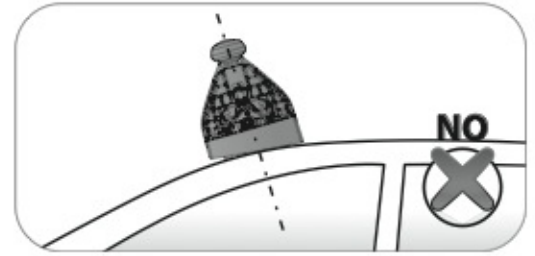
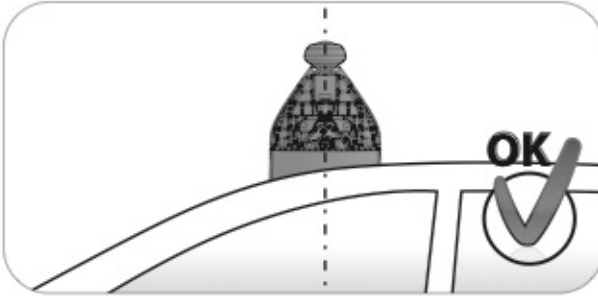


13

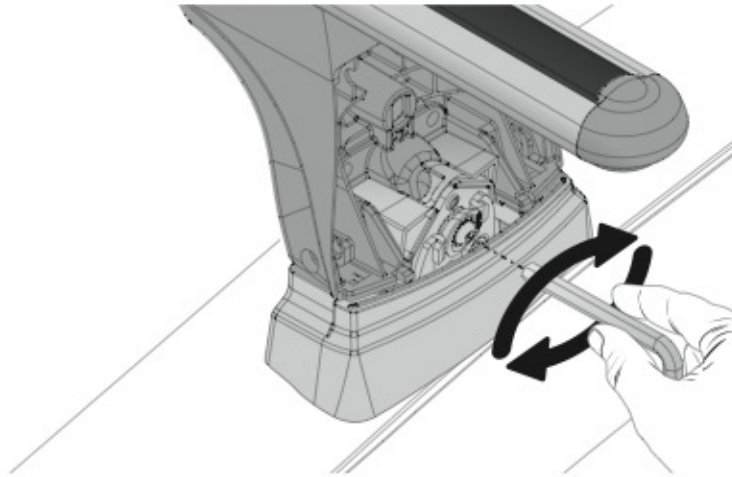
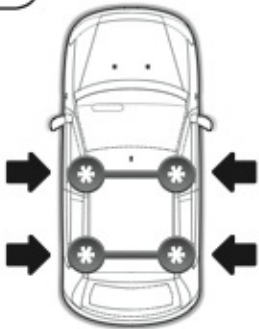




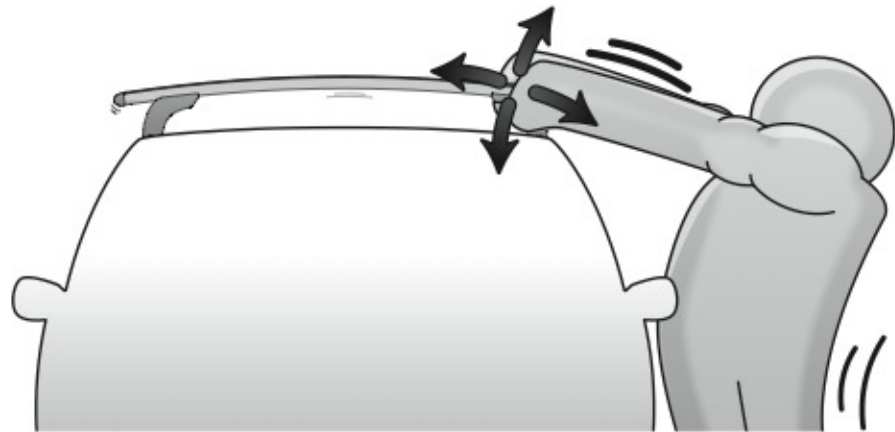
17



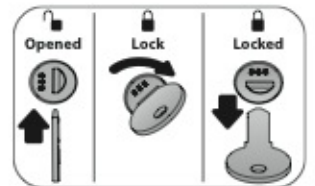
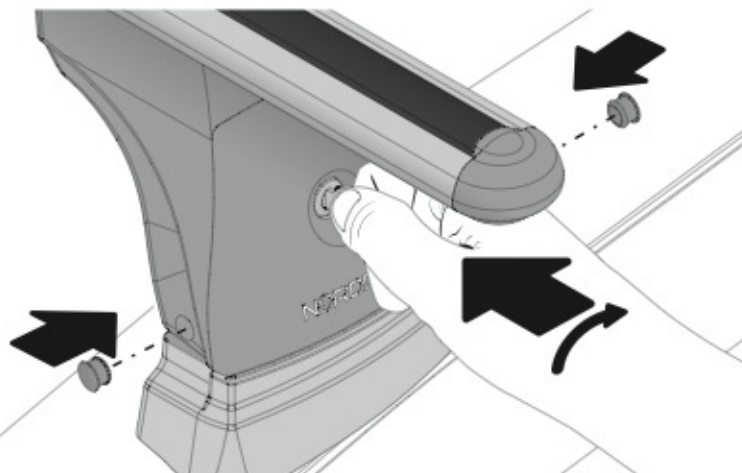
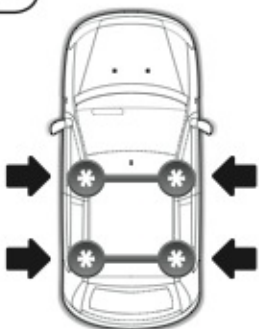
18



19



20



EVOS

EVOLUZIONE ZERO SYSTEM

NORDRIVE[®]
TRANSPORT SOLUTIONS

is a registered trade mark of

LAMPA S.p.A.

46019 Viadana (MN) ITALY

Ditta certificata UNI EN ISO 9001:2008

www.nordrive.it

www.lampa.it