

EVOS

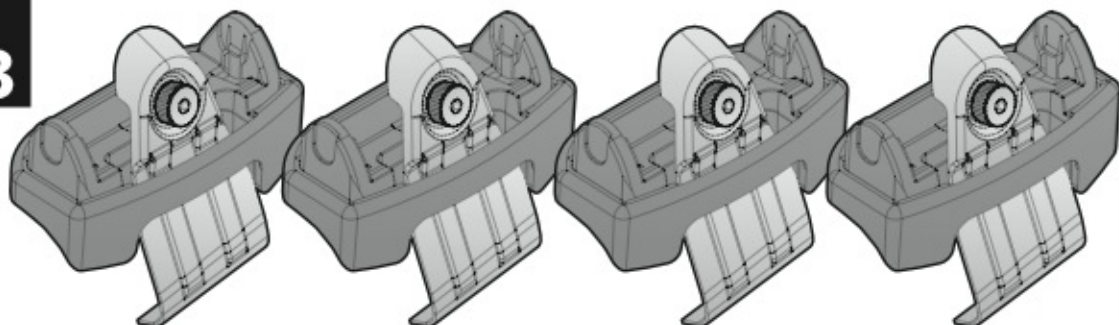
NORDRIVE®

TRANSPORT SOLUTIONS

HONDA CR-V

10/12 →

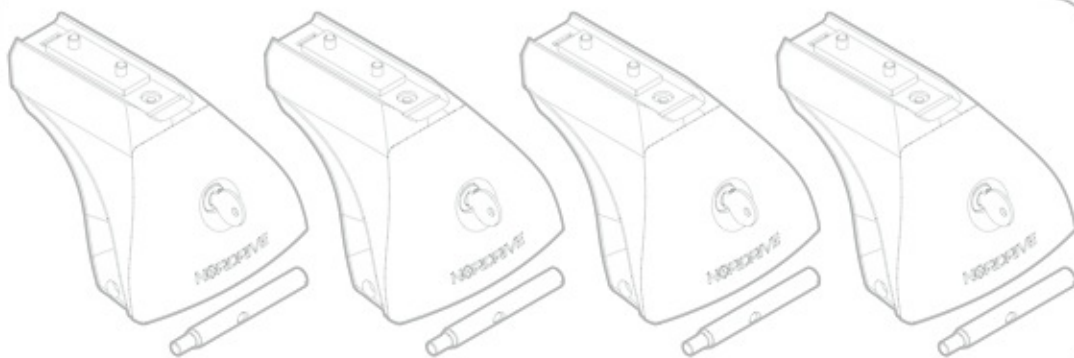
Art. **N21193**



C

+

Art. **N20001**



B

+

Art. **N15021**



A

ACCIAIO
Steel

=



Art. **N15026**



A

ALLUMINIO
Aluminium

=



Art. **N15076**



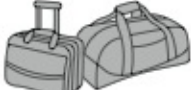


A

ALLUMINIO
Aluminium

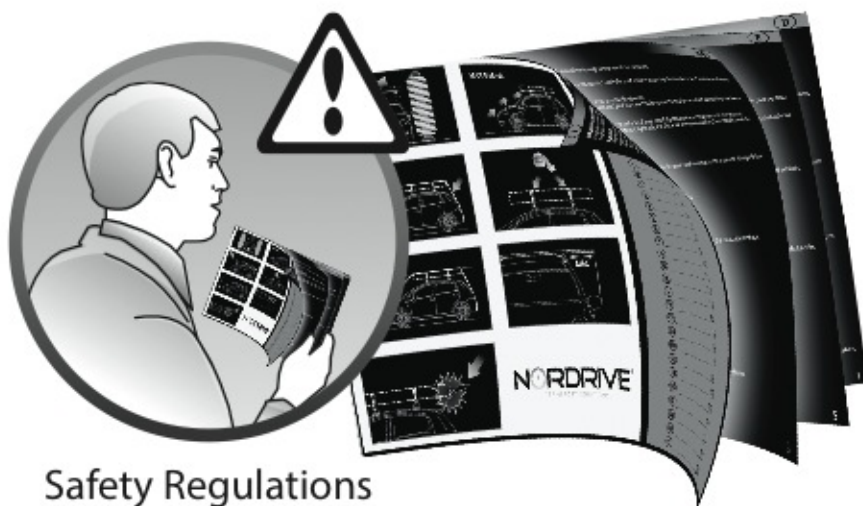
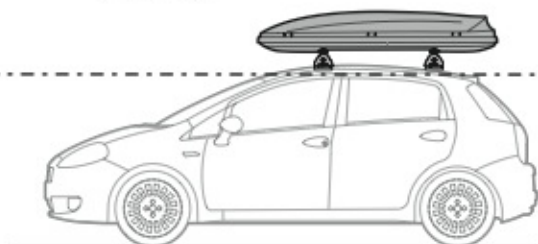
=



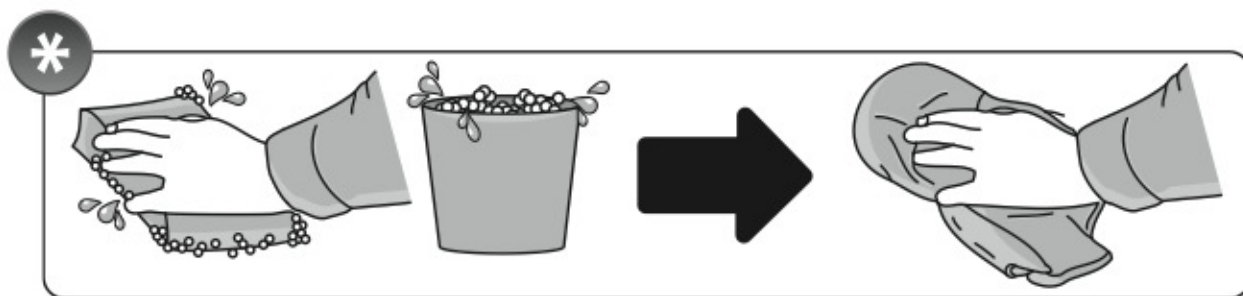
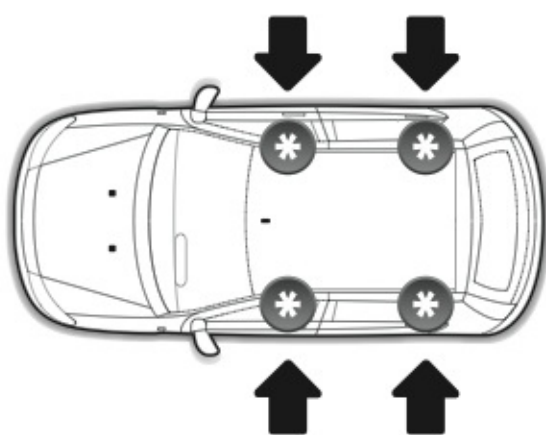
 +  +  = max: **50kg**



max: **???**kg



Safety Regulations

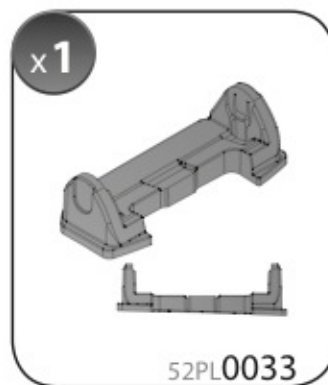
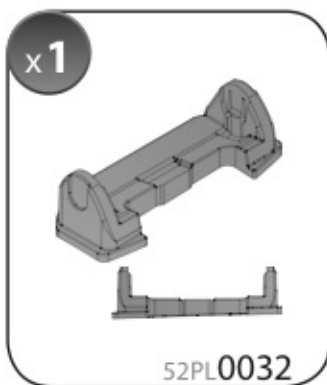
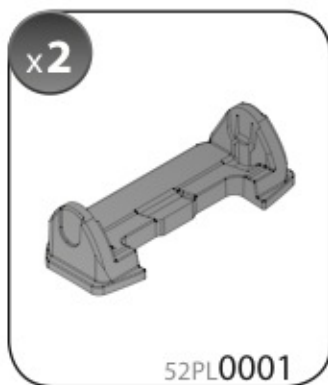
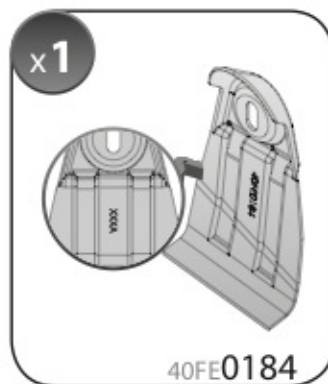
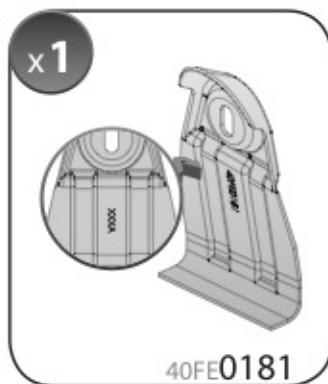
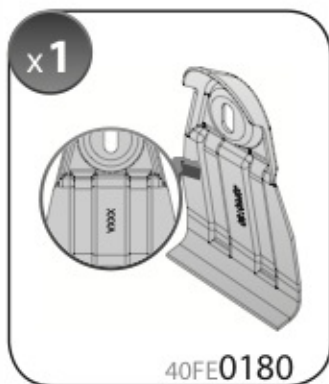
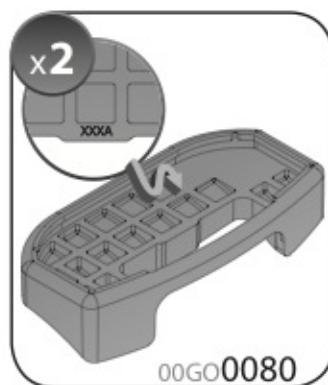
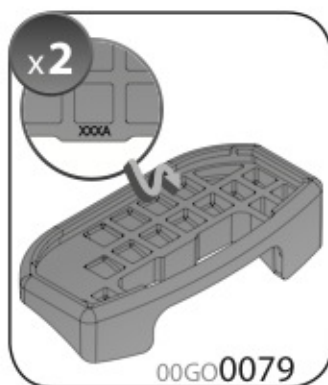


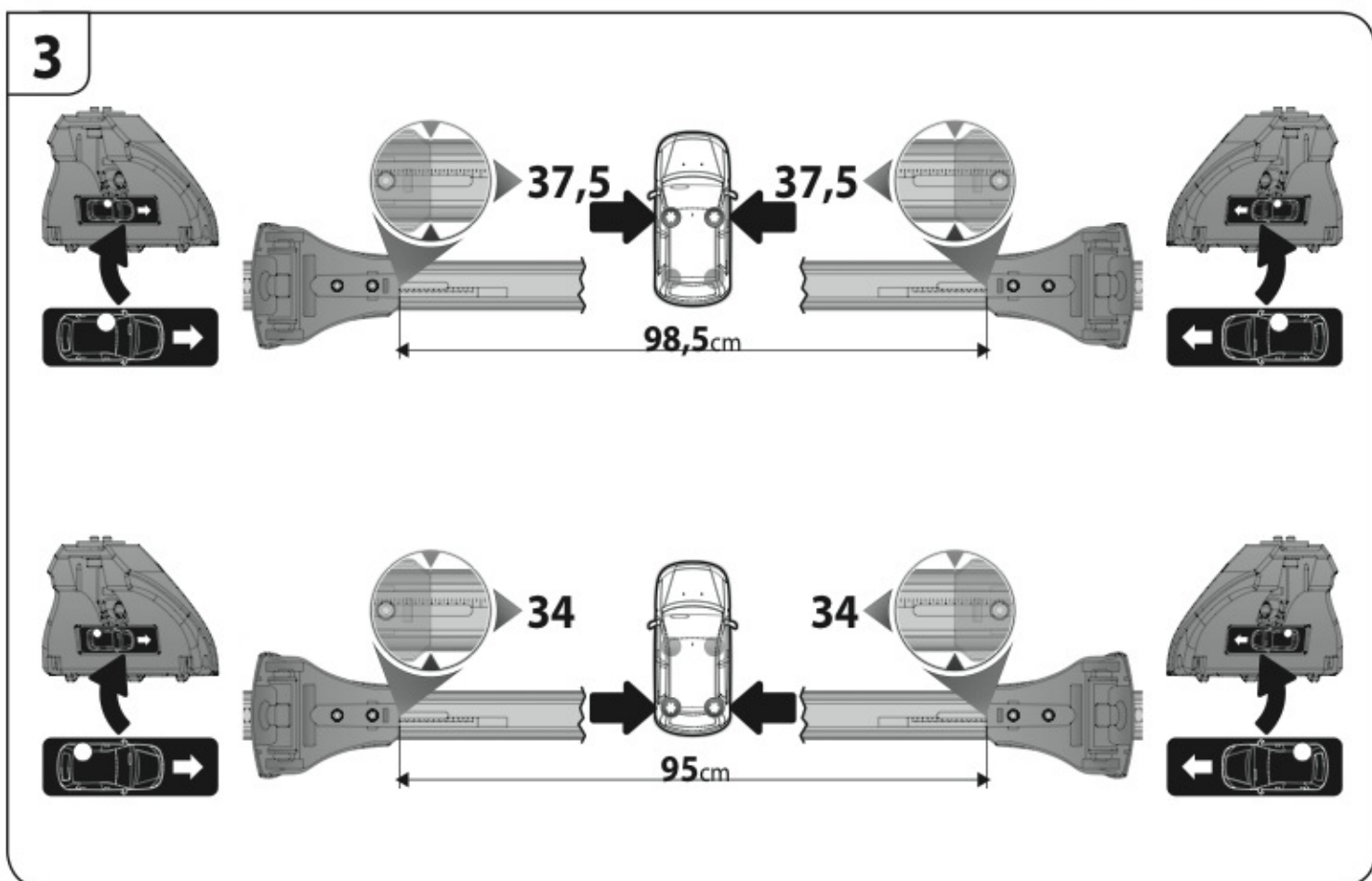
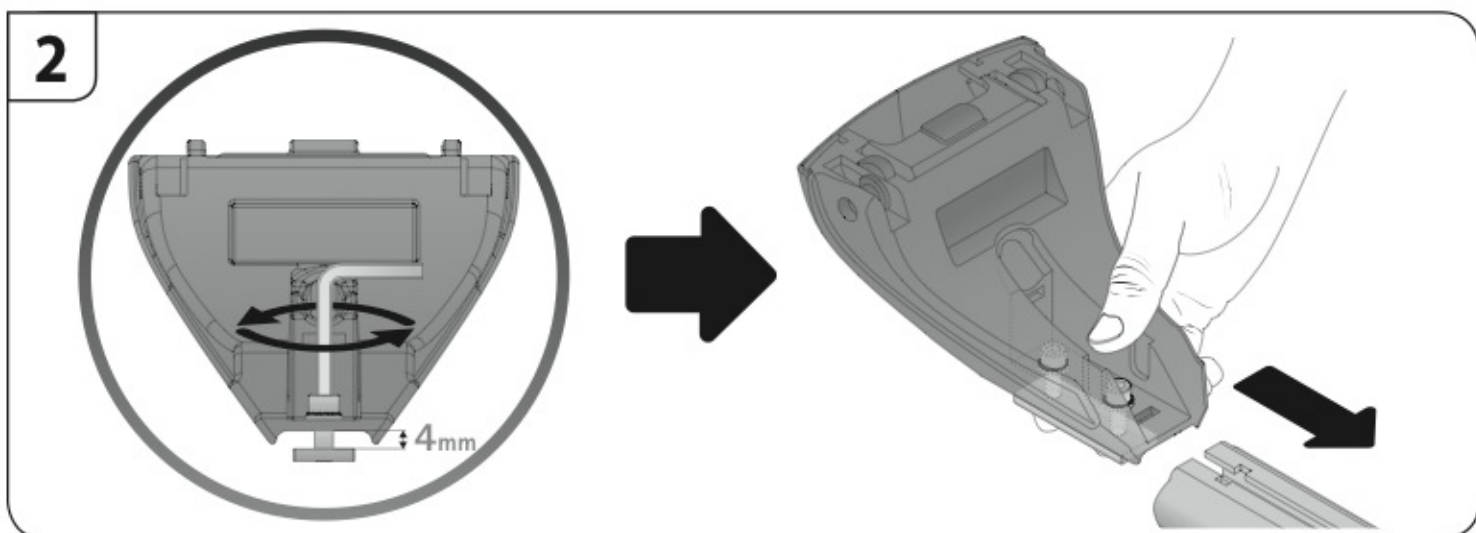
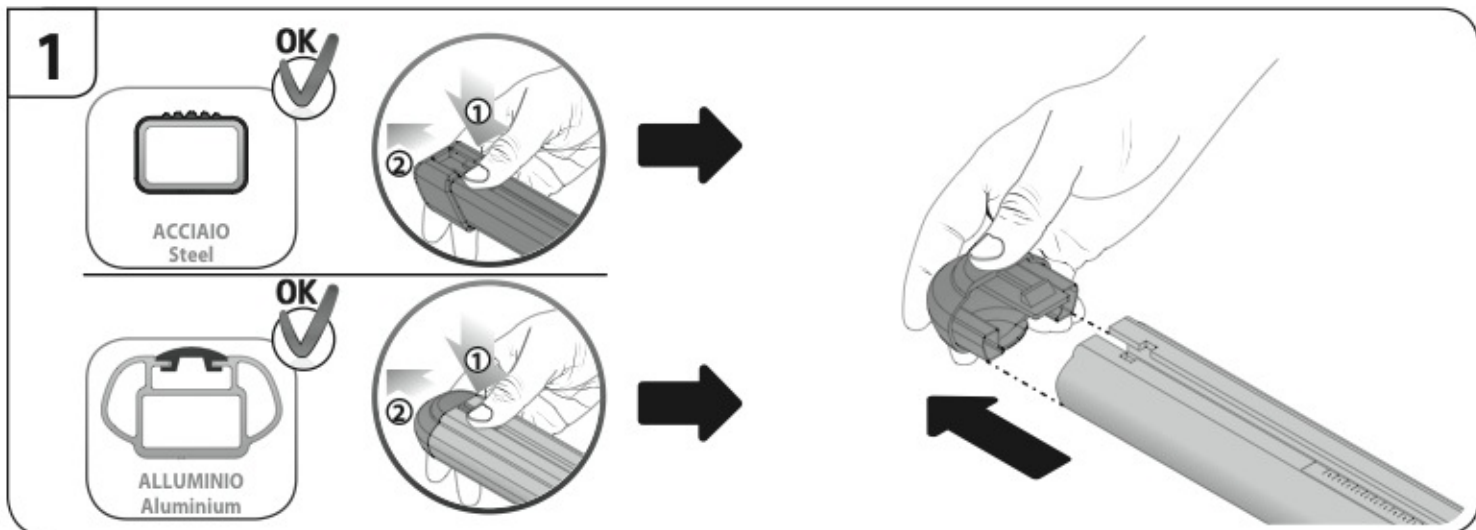


HONDA CR-V

10/12 →

Art. **N21193**

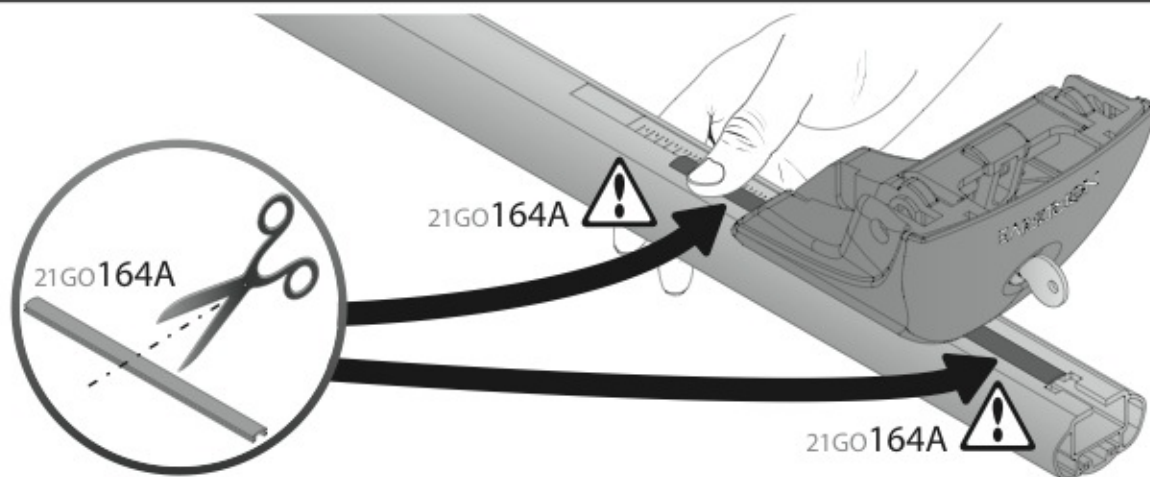




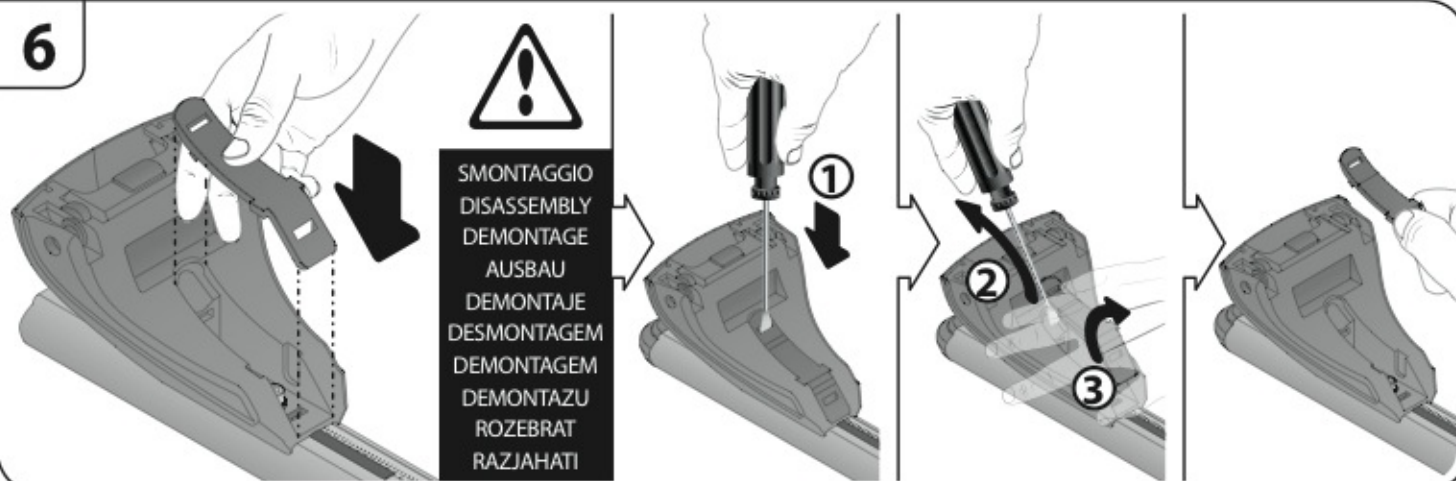
4



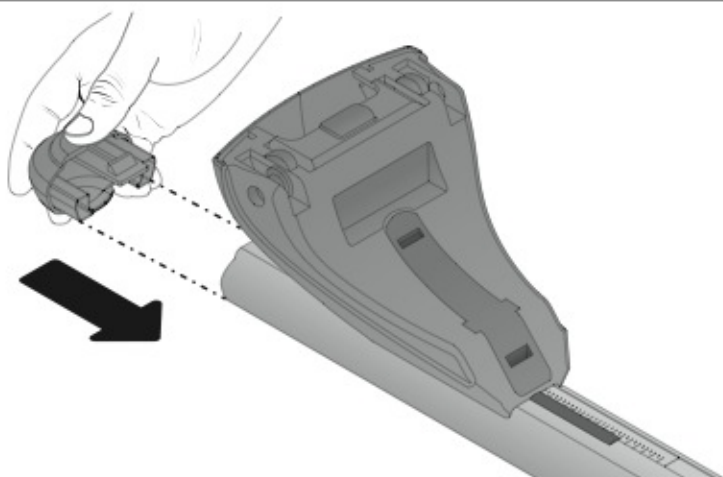
5

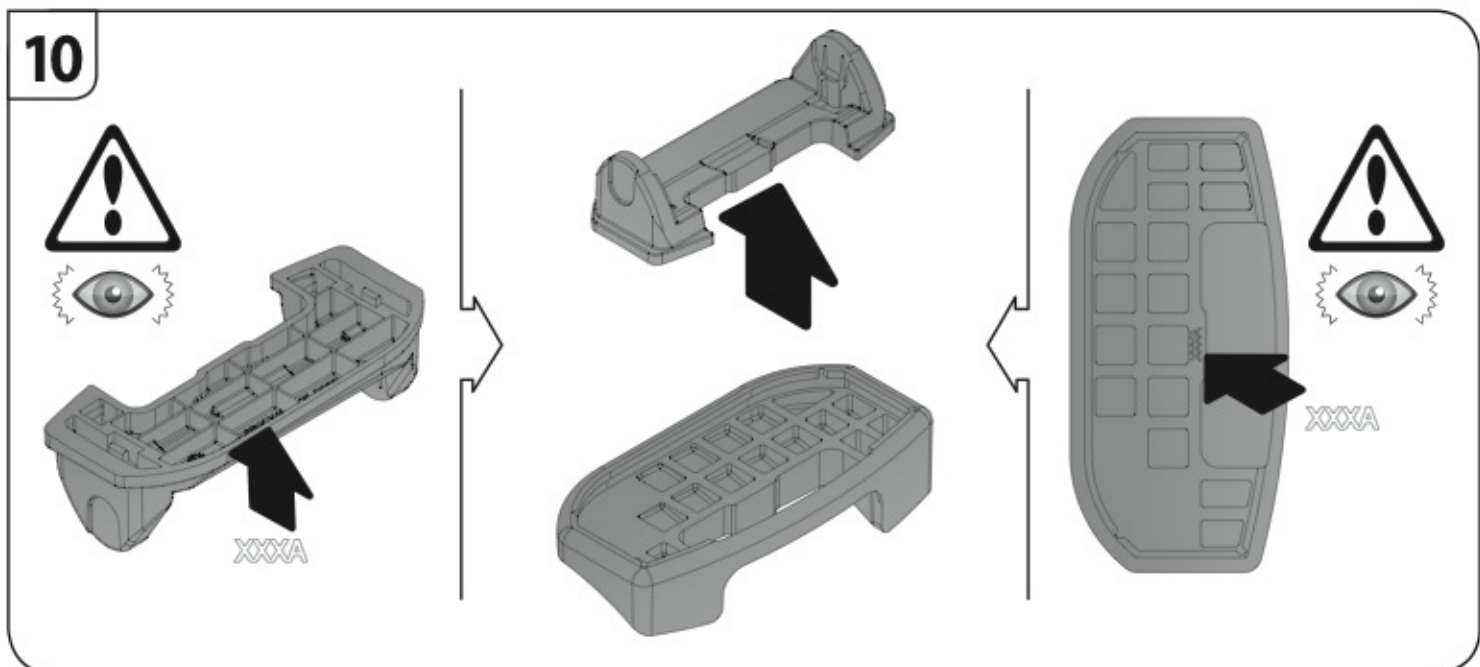
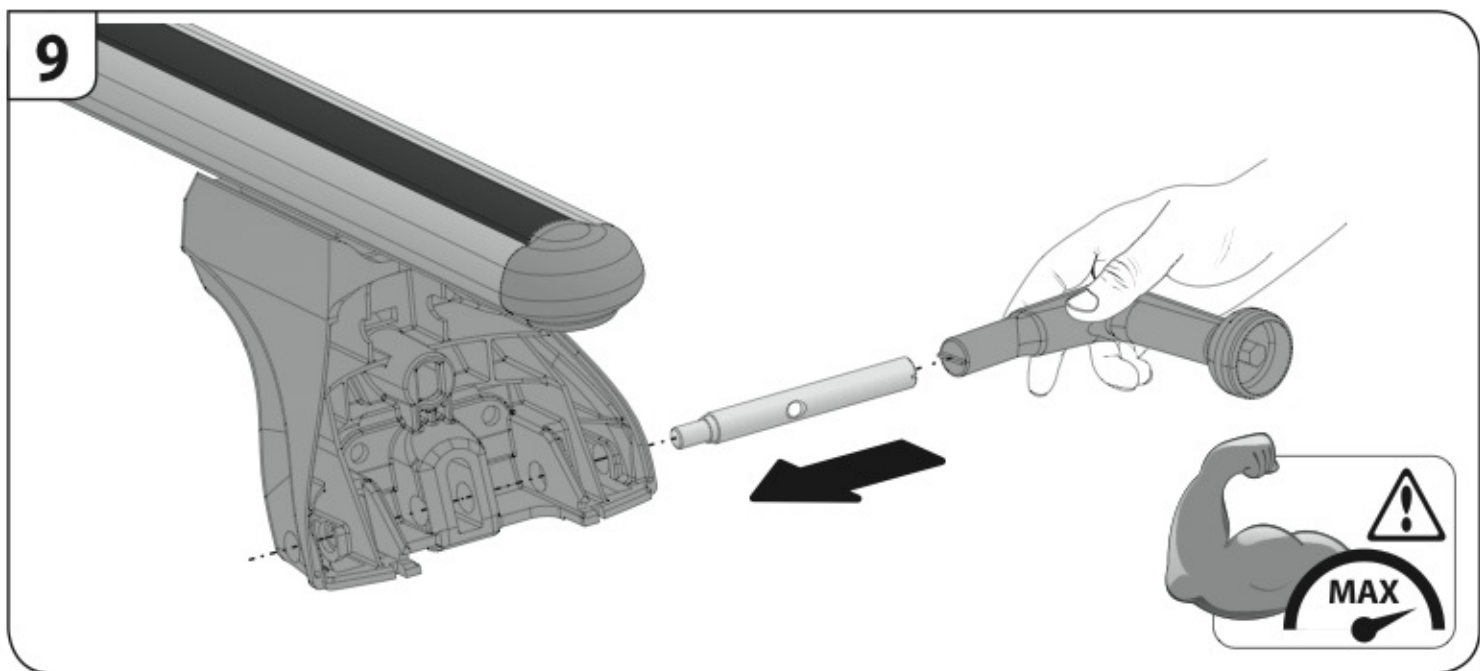
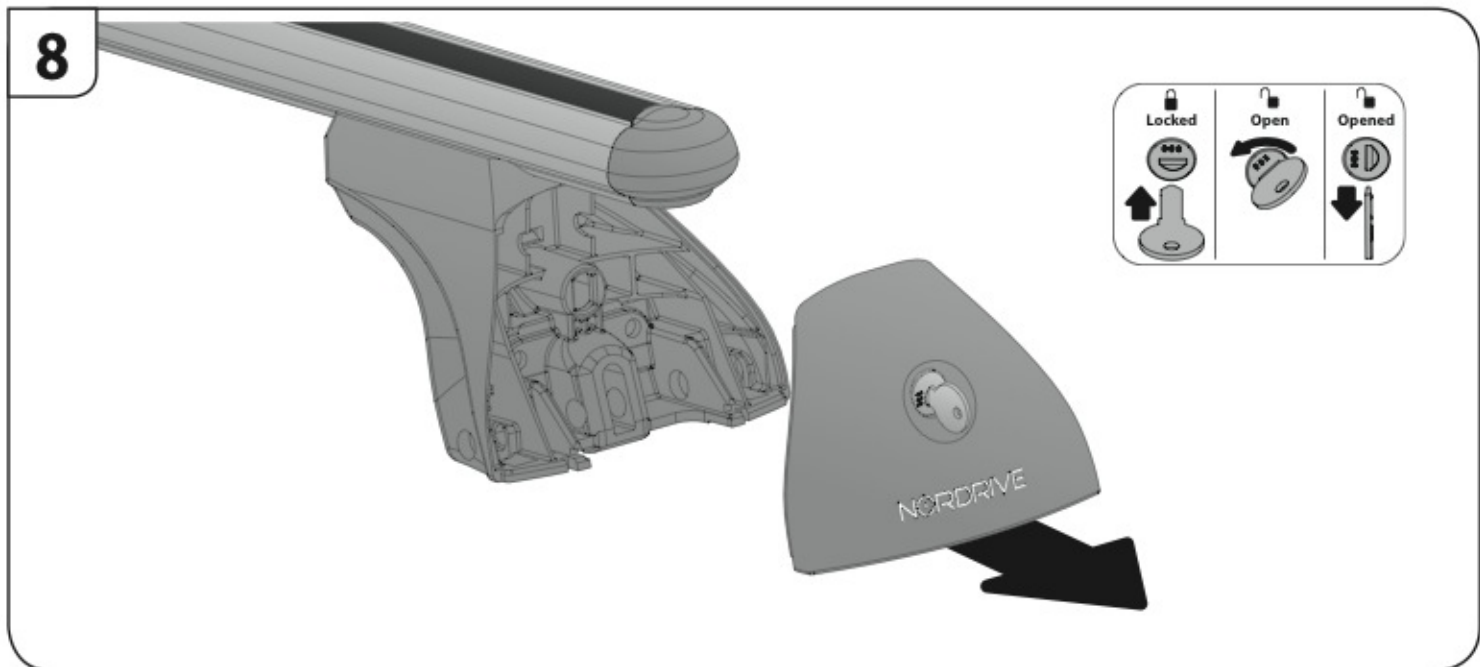


6

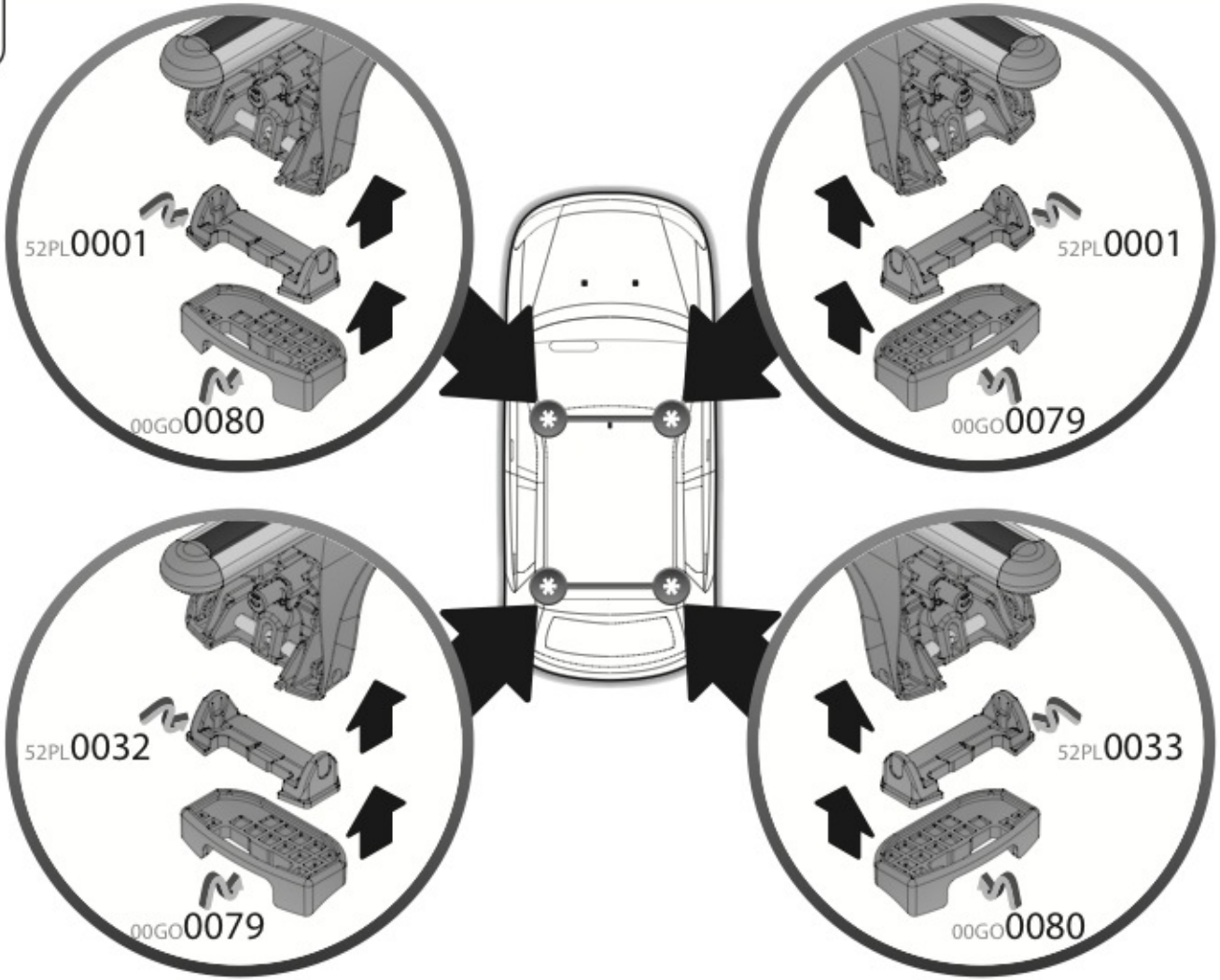


7

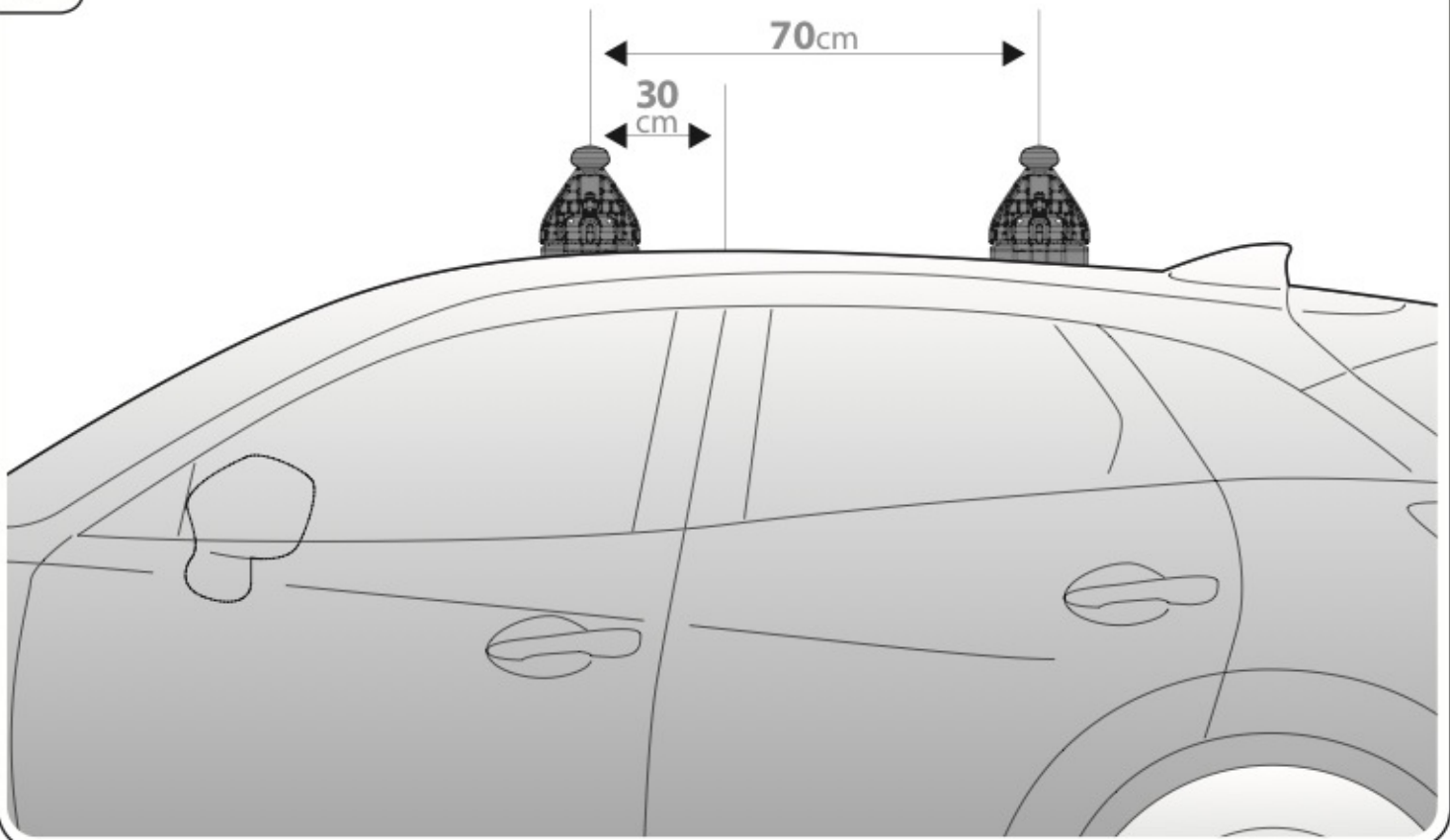




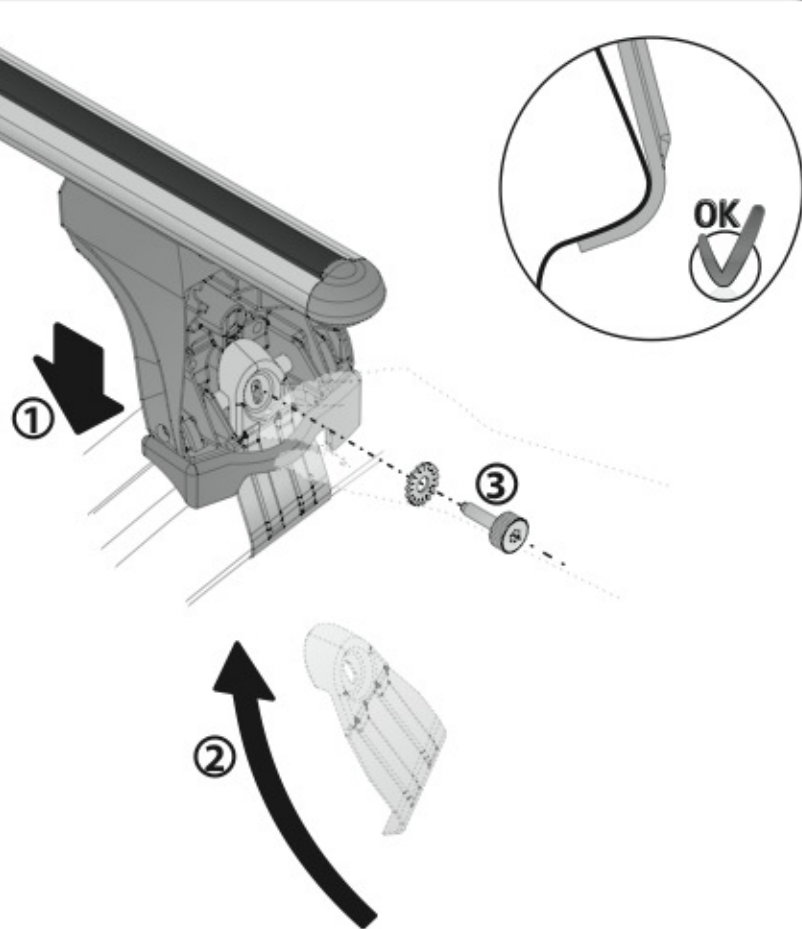
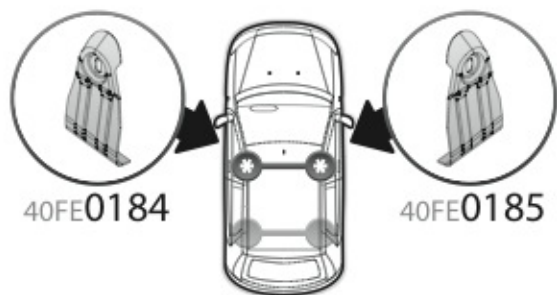
11



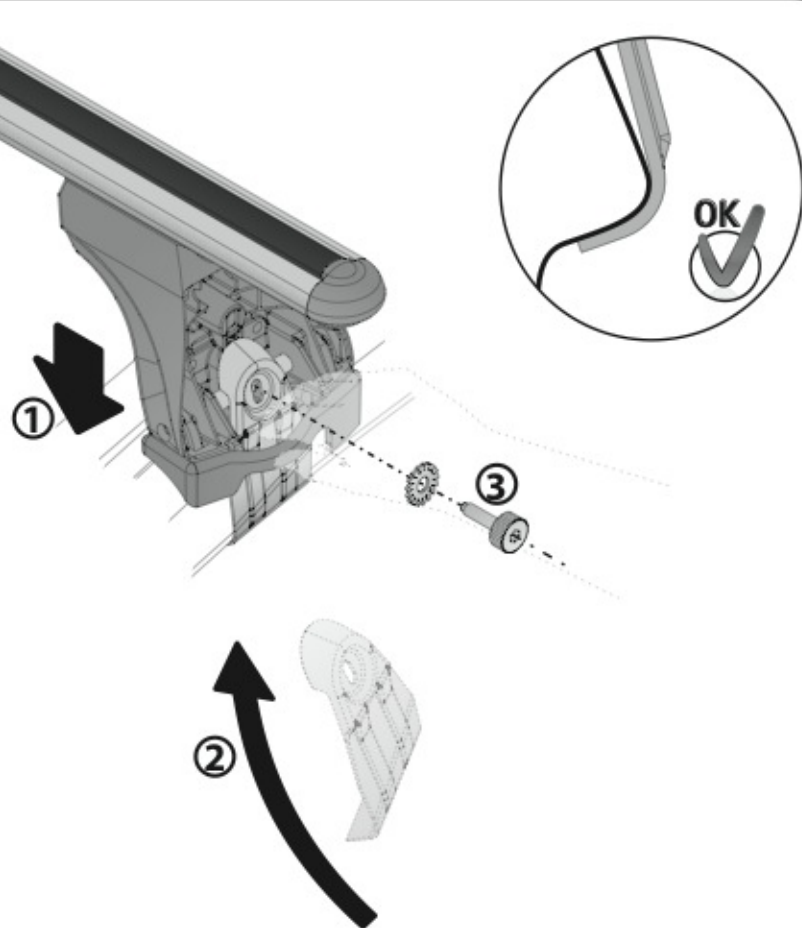
12



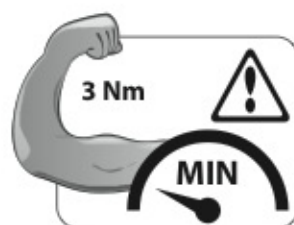
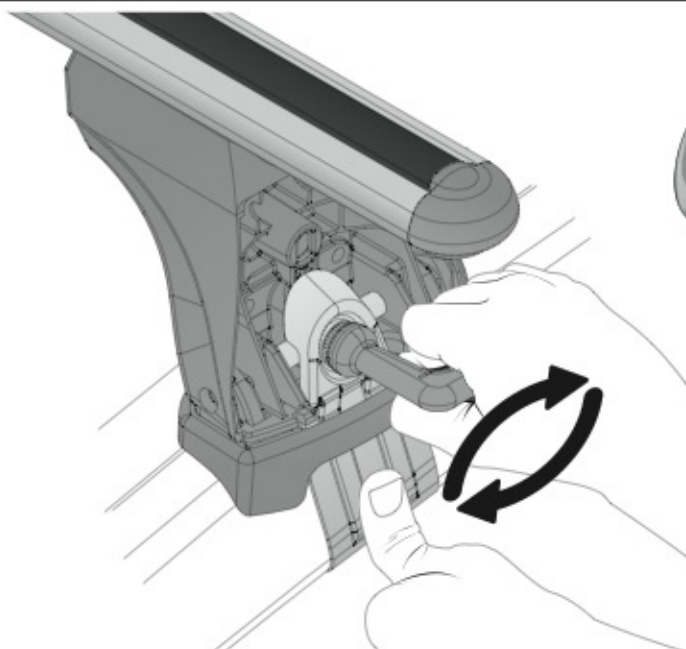
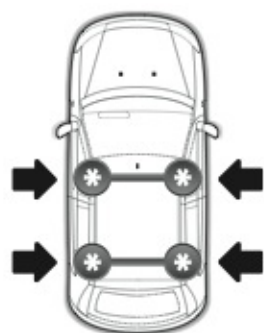
13



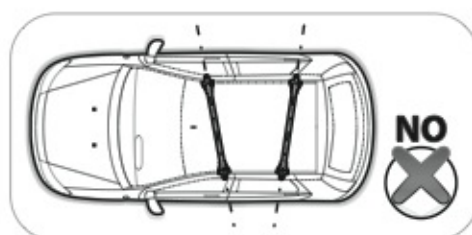
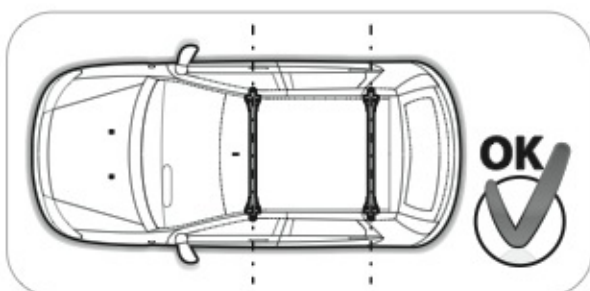
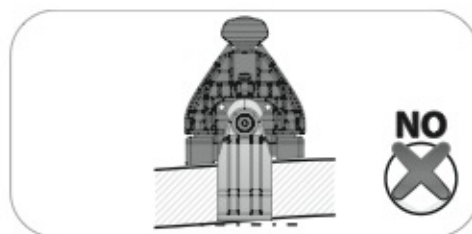
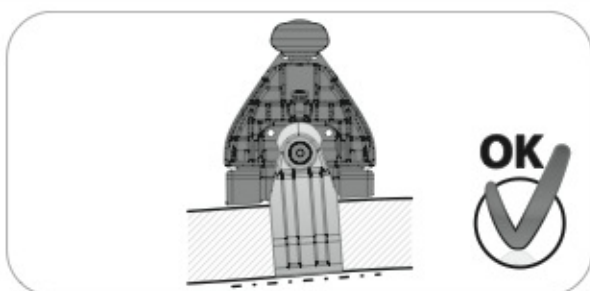
14



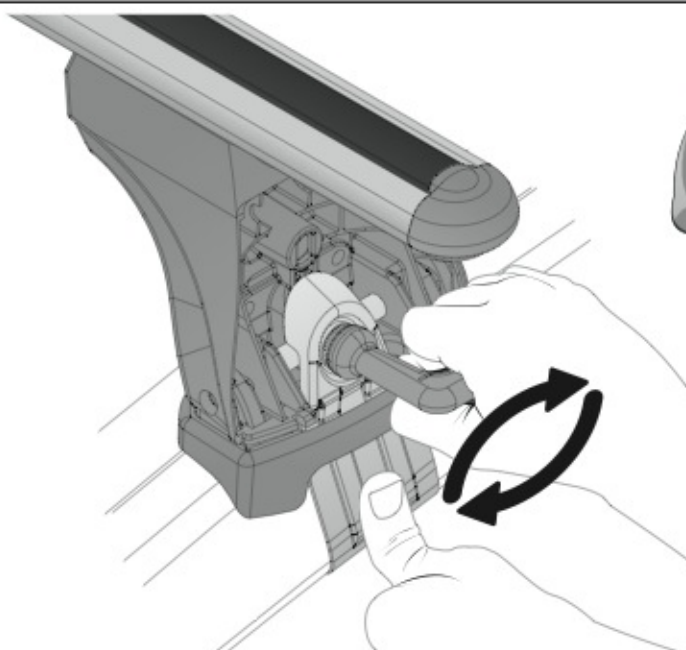
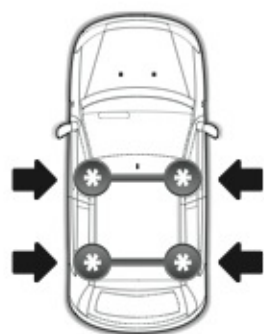
15



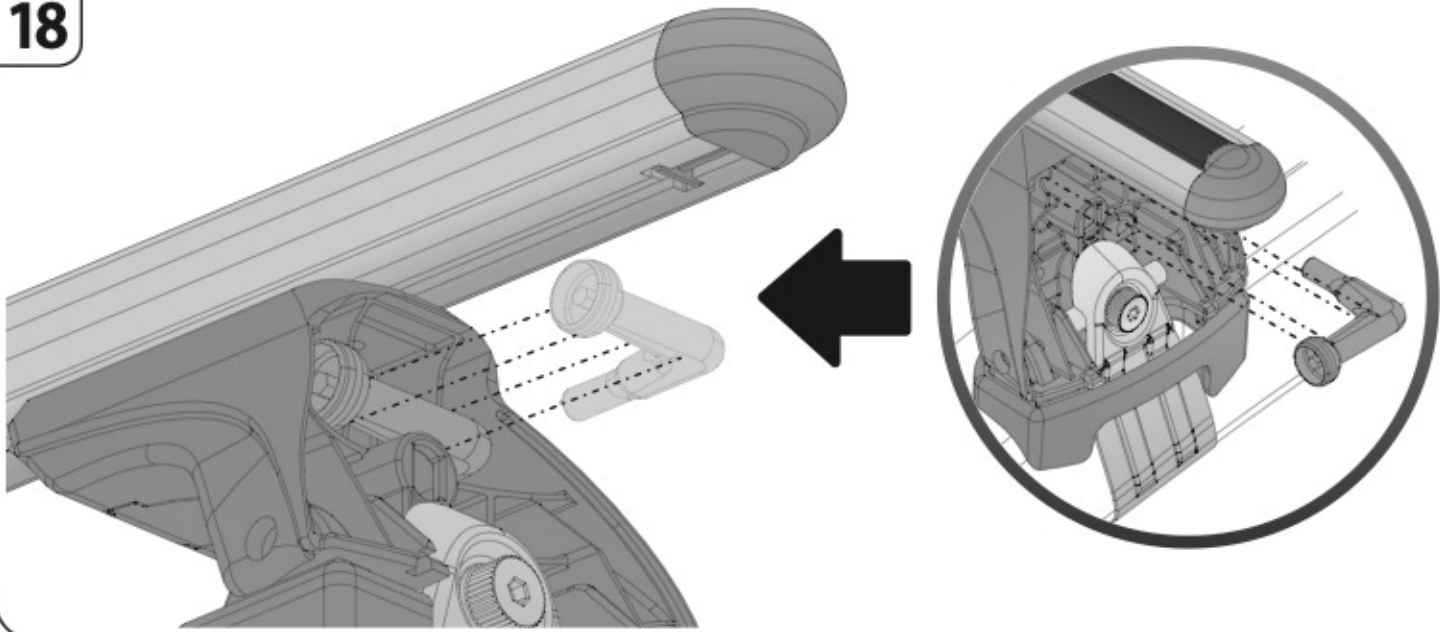
16



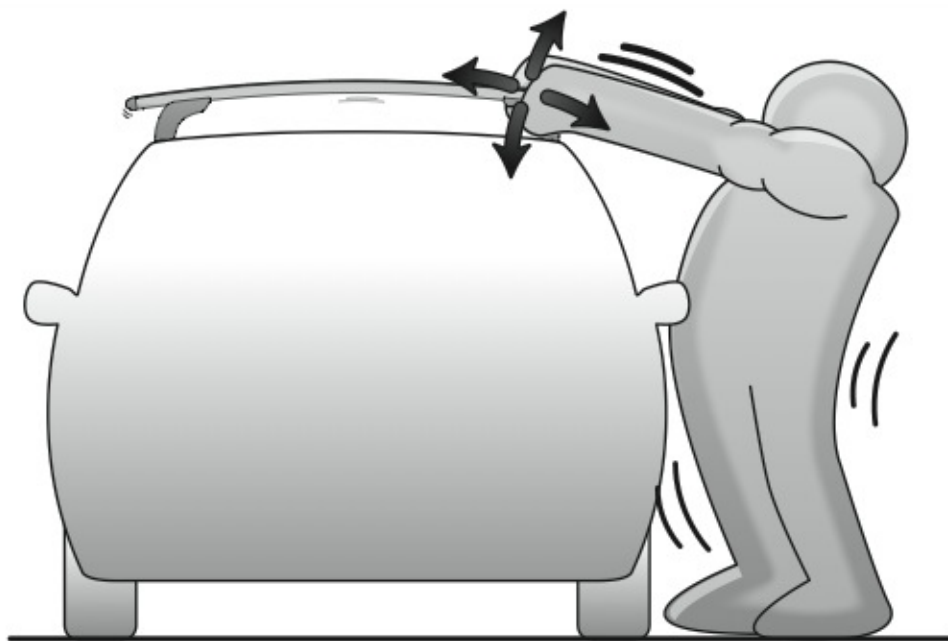
17



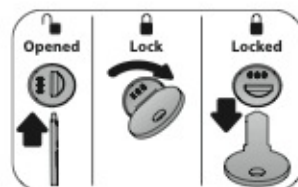
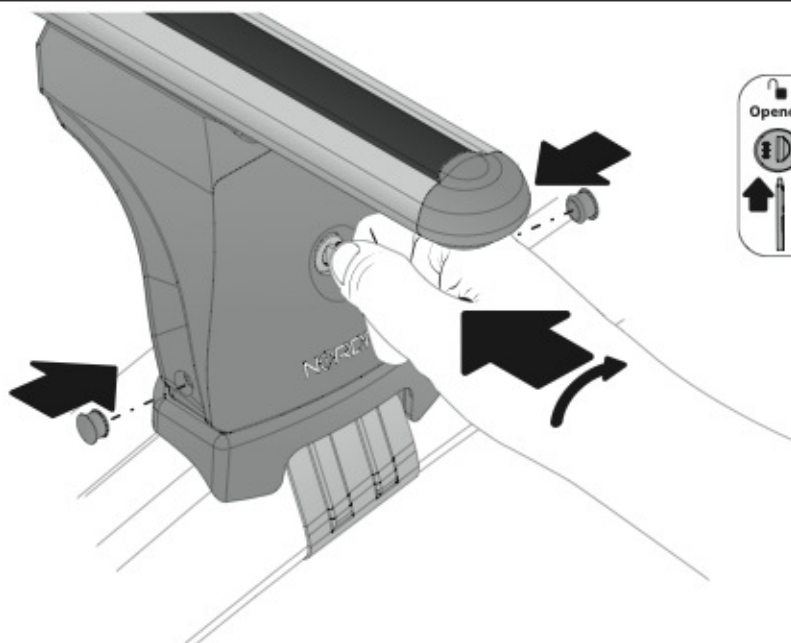
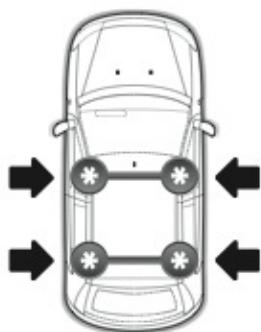
18



19



20



EVOS

NORDRIVE[®]
TRANSPORT SOLUTIONS

is a registered trade mark of

LAMPA S.p.A.

Via G. Rossa 53/55, 46019 Viadana (MN) ITALY

Tel. +39 0375 820700

UNI EN ISO 9001:2008 Certified Company

www.nordrive.it

www.lampa.it