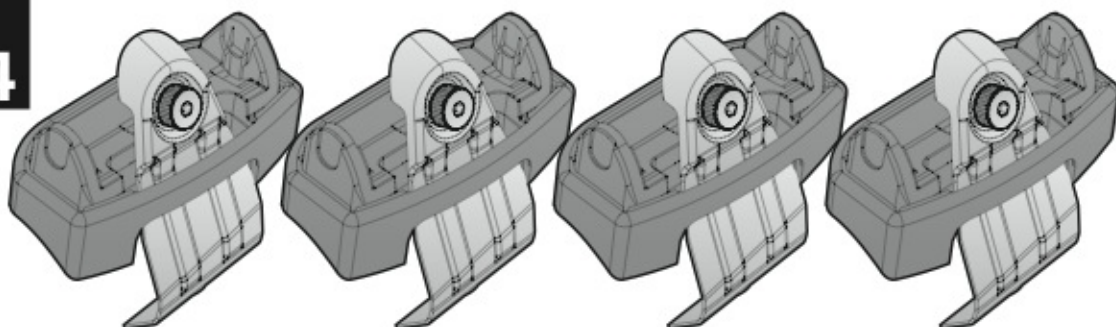


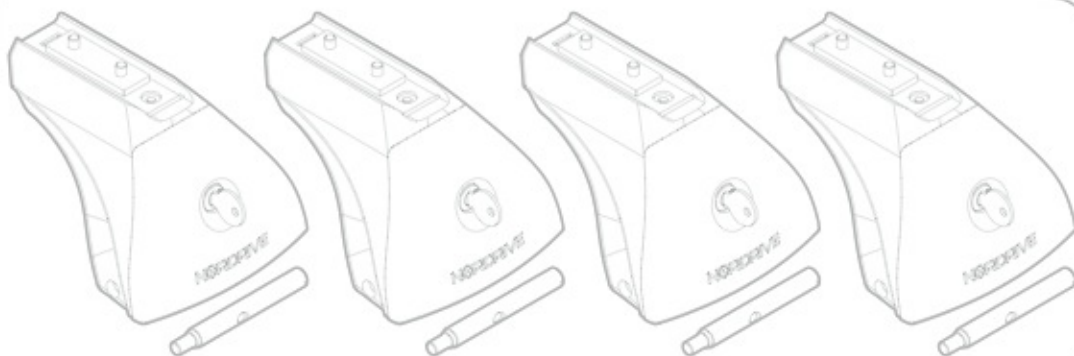
Art.  
**N21194**



**C**



Art. **N20001**



**B**

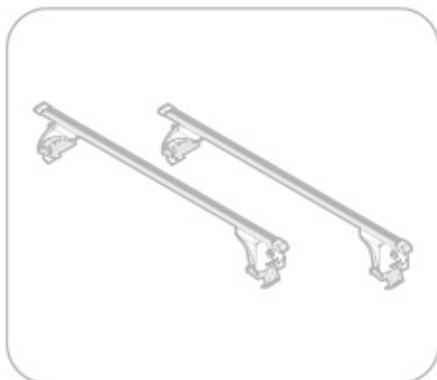


Art. **N15021**



**A**

ACCIAIO  
 Steel



Art. **N15026**



**A**

ALLUMINIO  
 Aluminium



Art. **N15076**



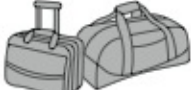


**A**

ALLUMINIO  
 Aluminium



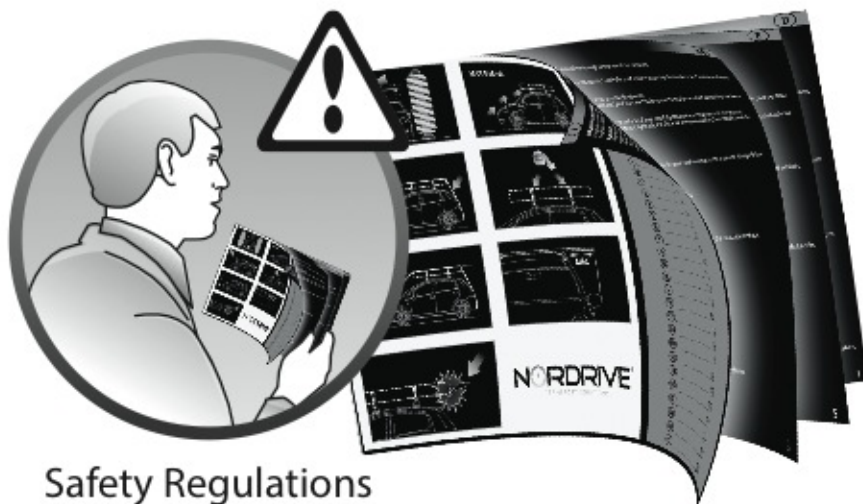
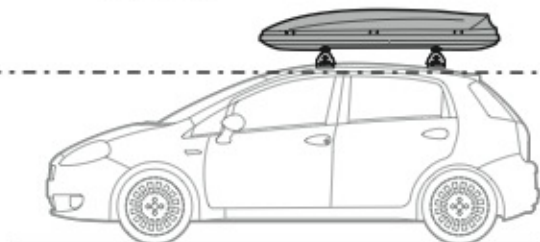


 +  +  = max: **75kg**

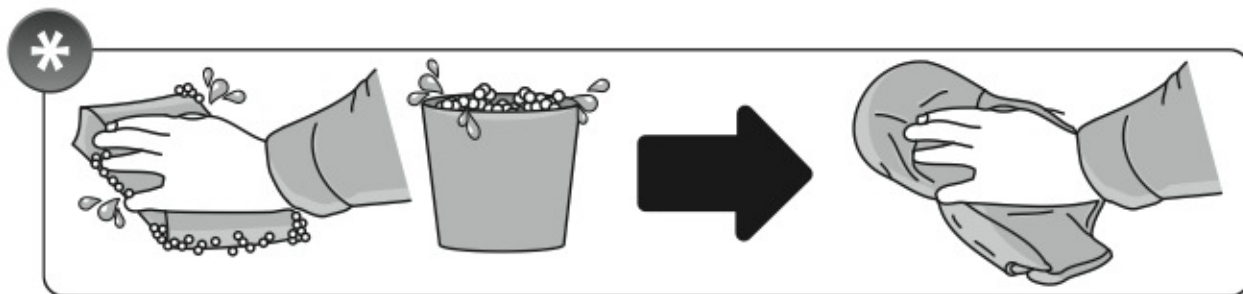
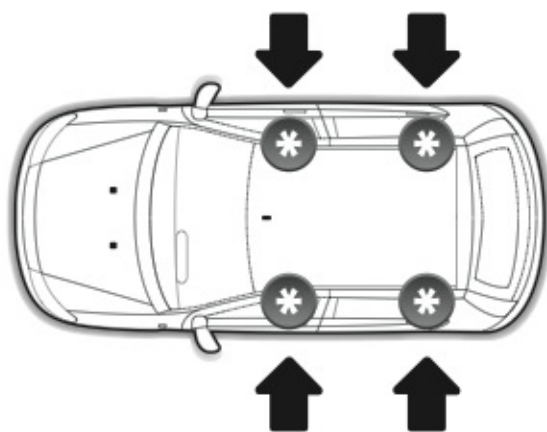
5,5kg



max: **???**kg



Safety Regulations





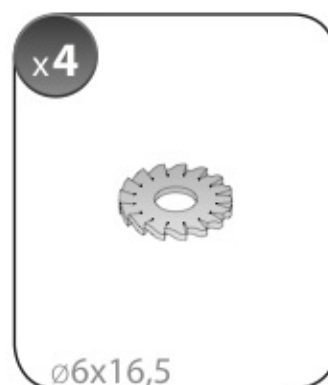
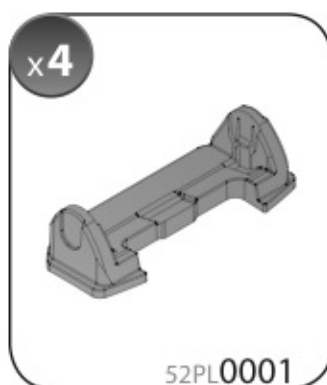
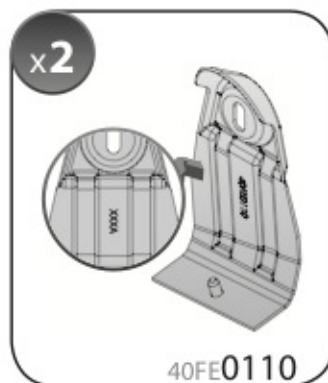
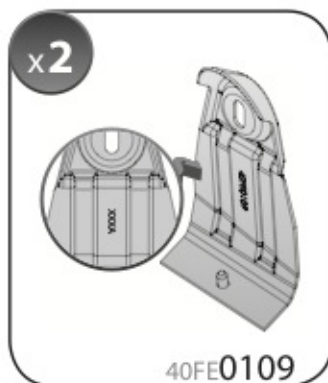
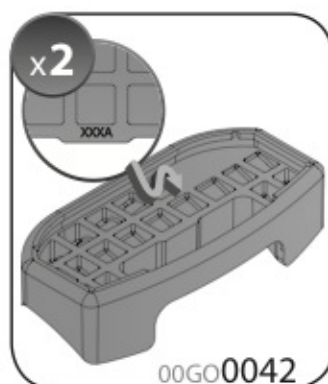
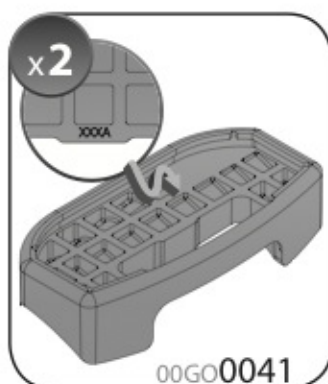
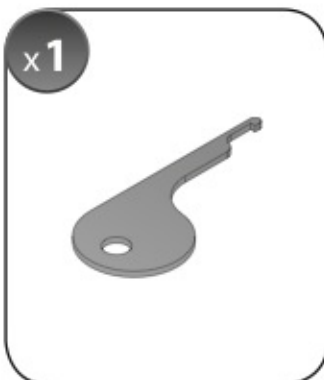
AUDI  
A6

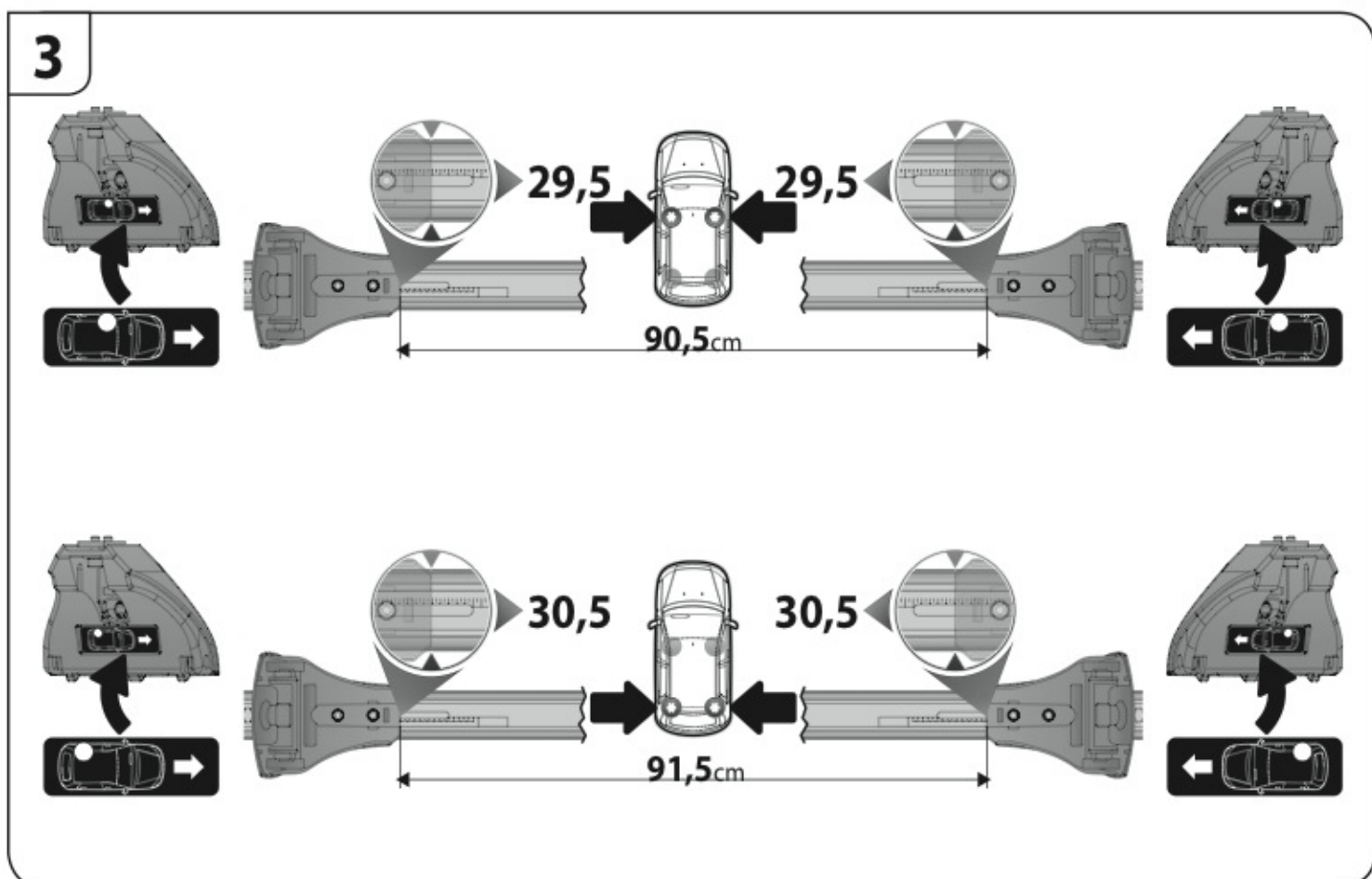
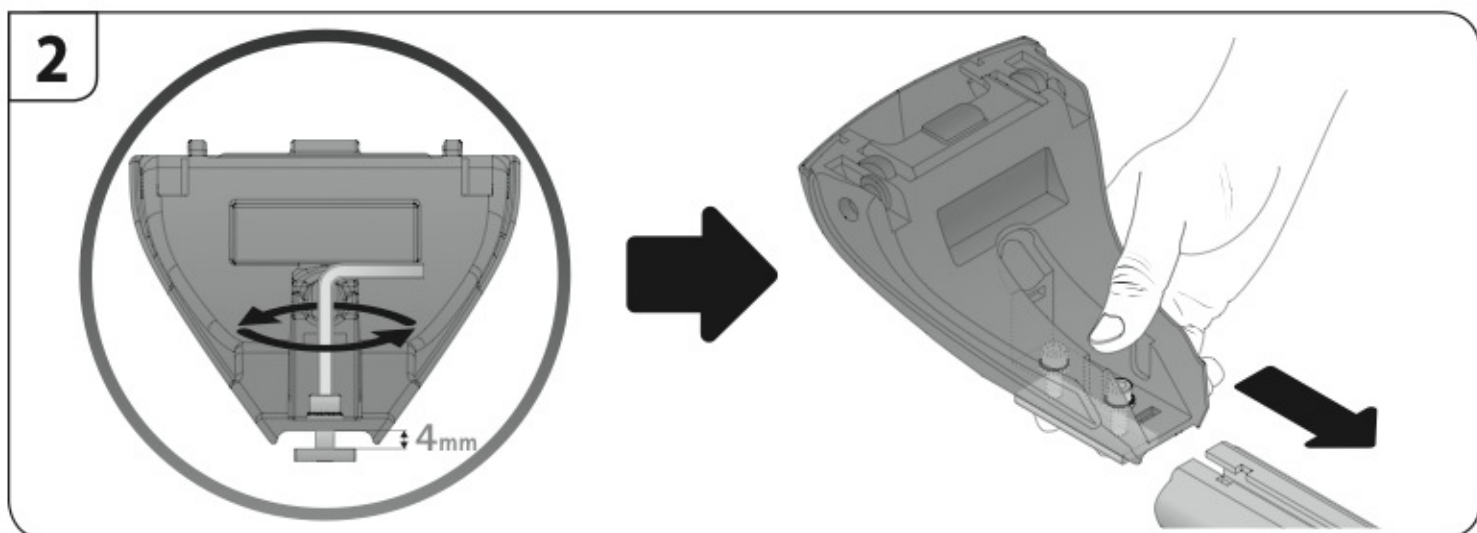
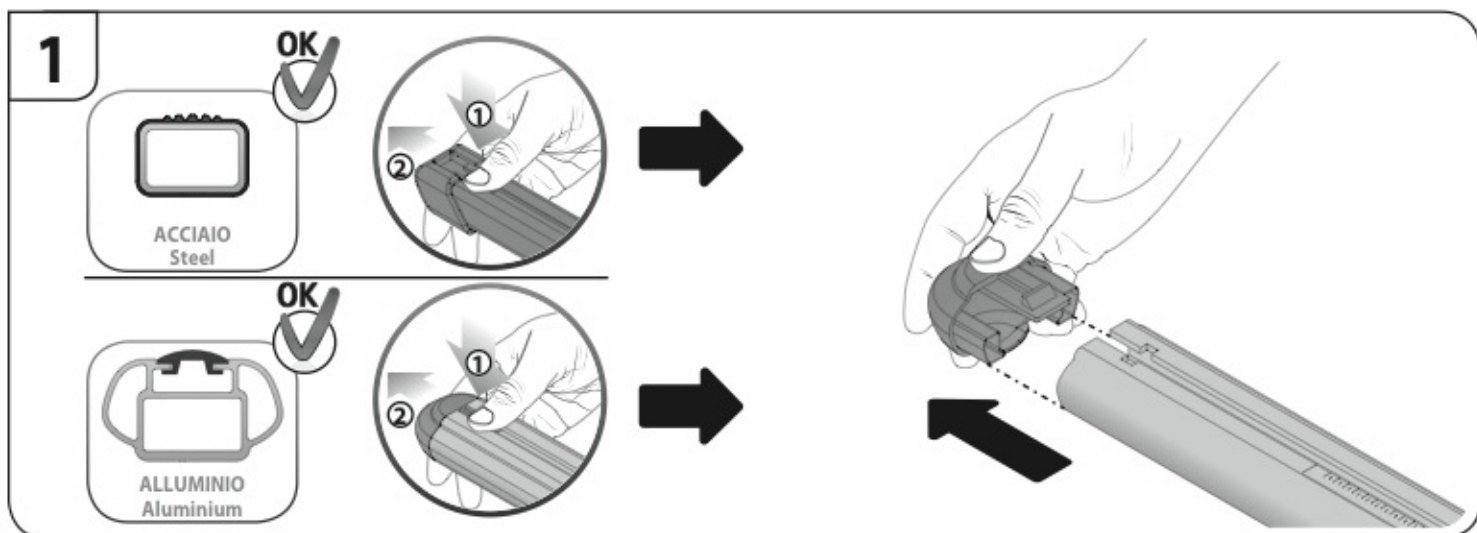
4



4/11 →

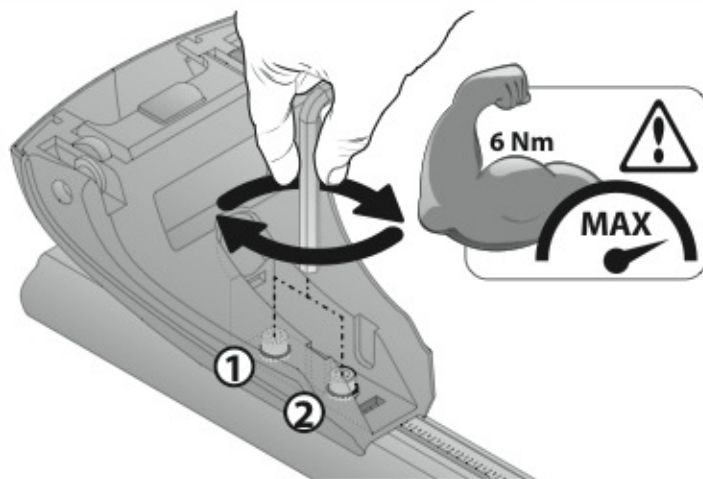
Art. **N21194**



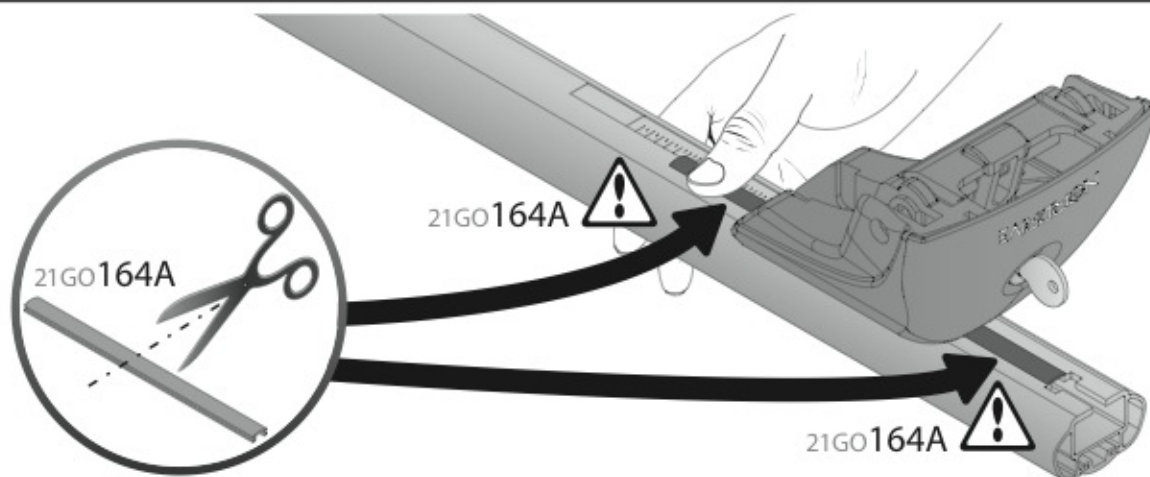




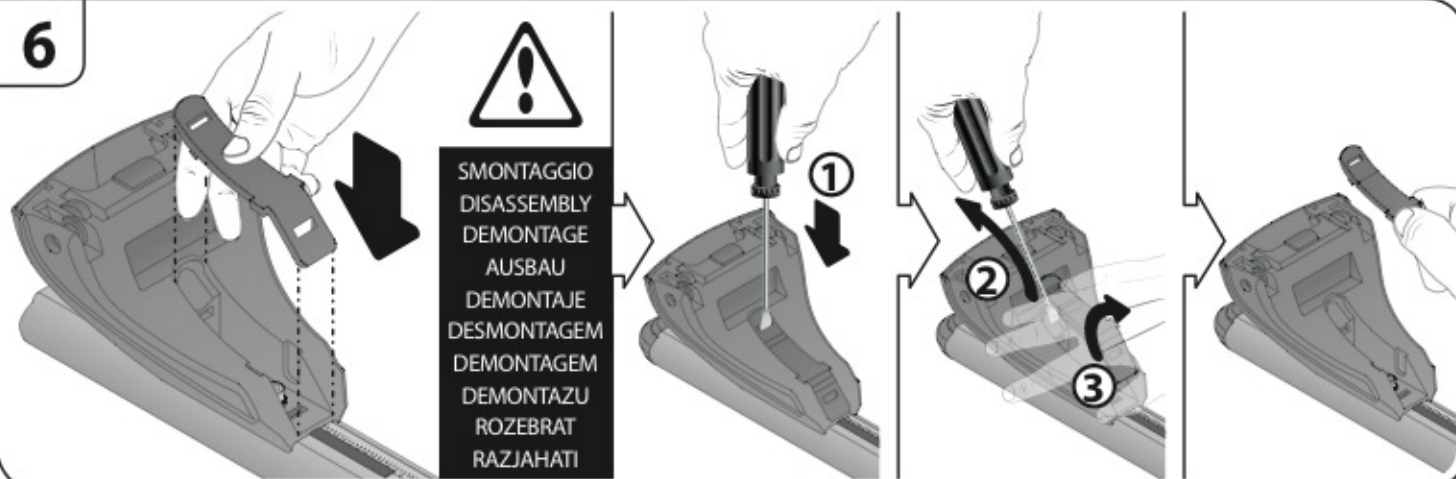
4



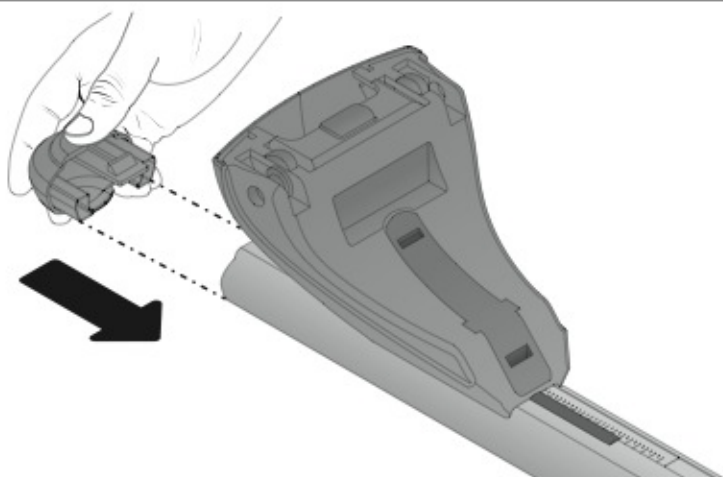
5

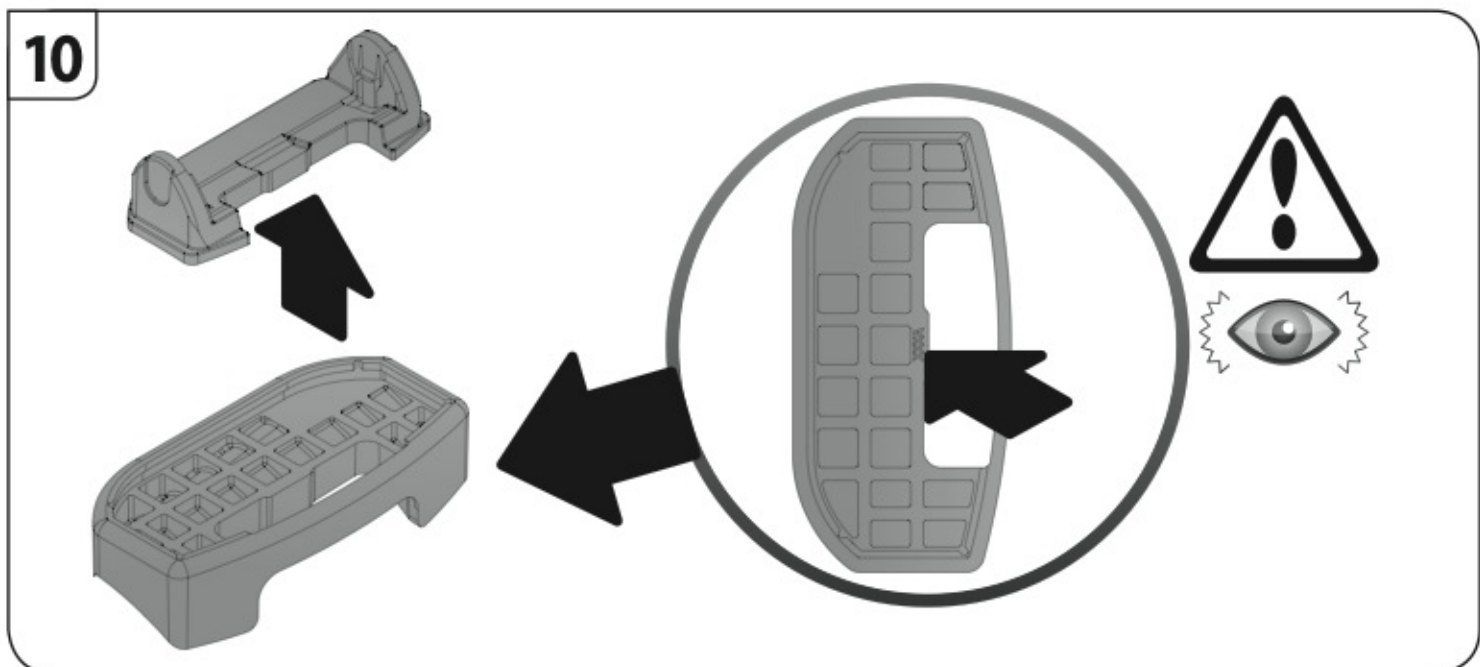
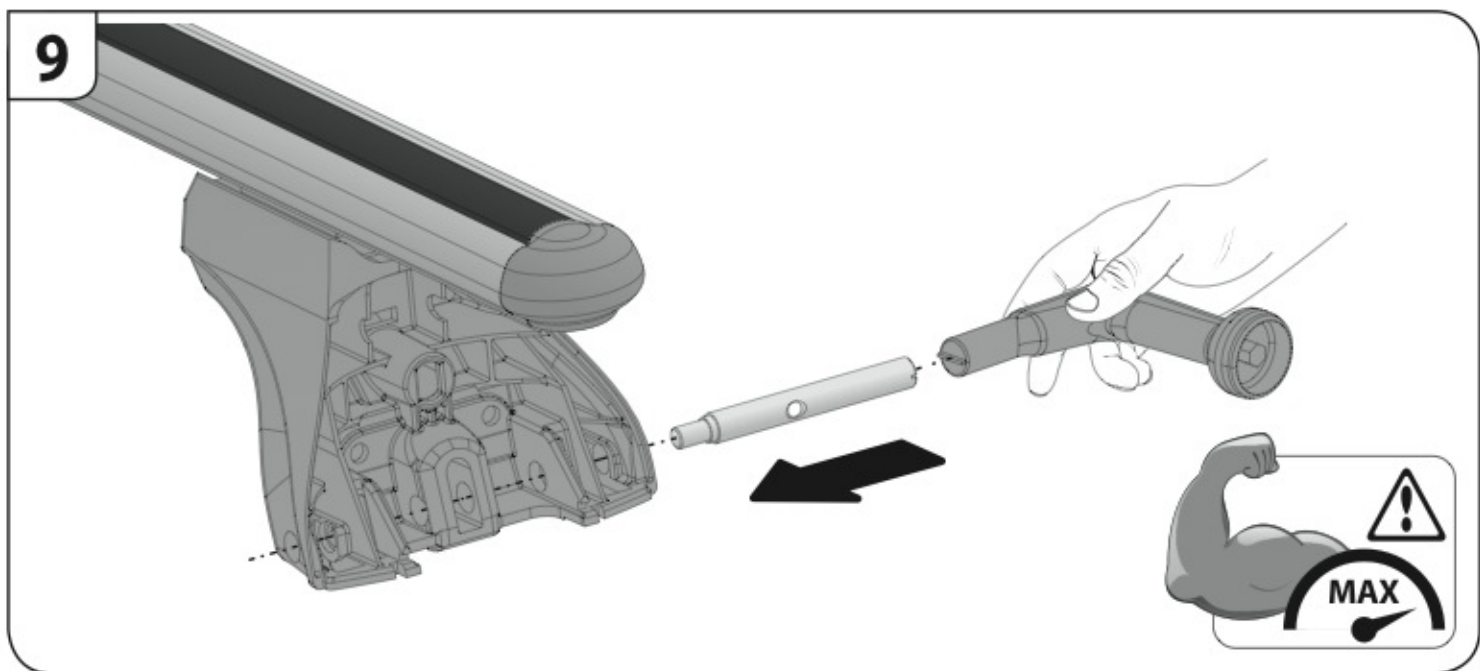
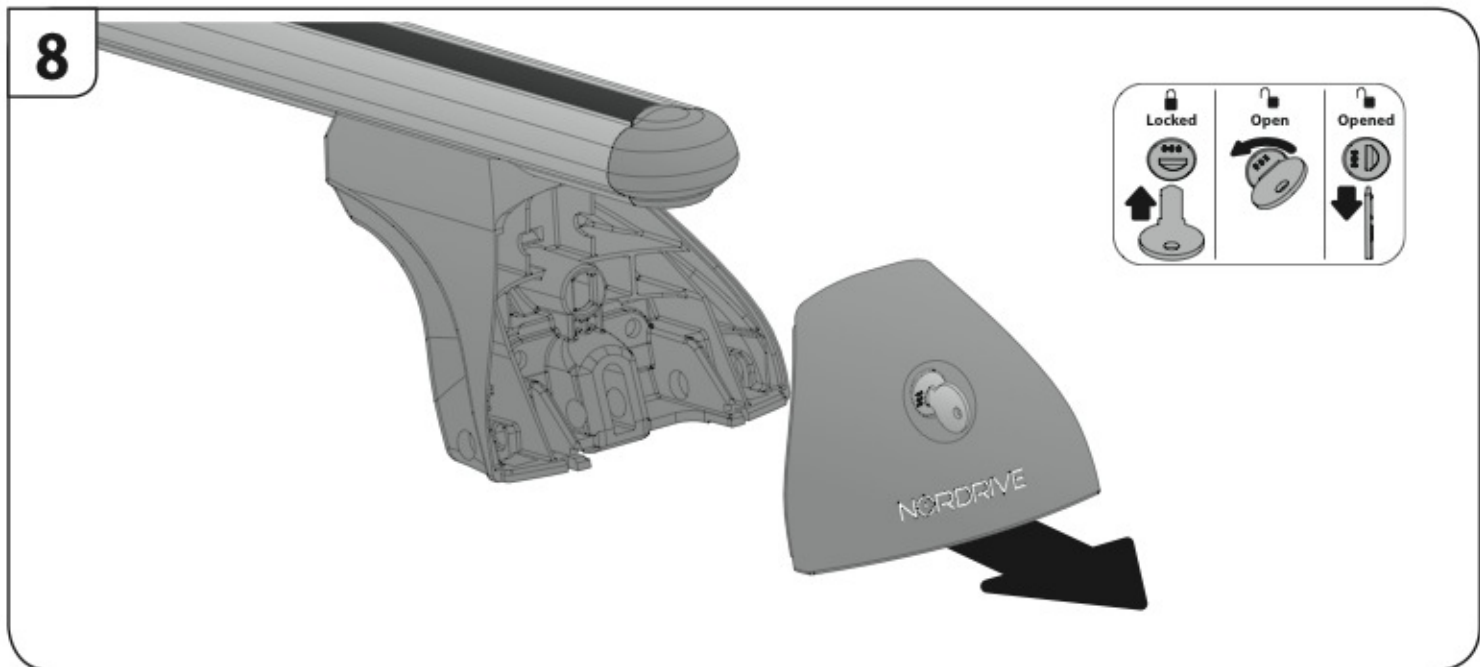


6

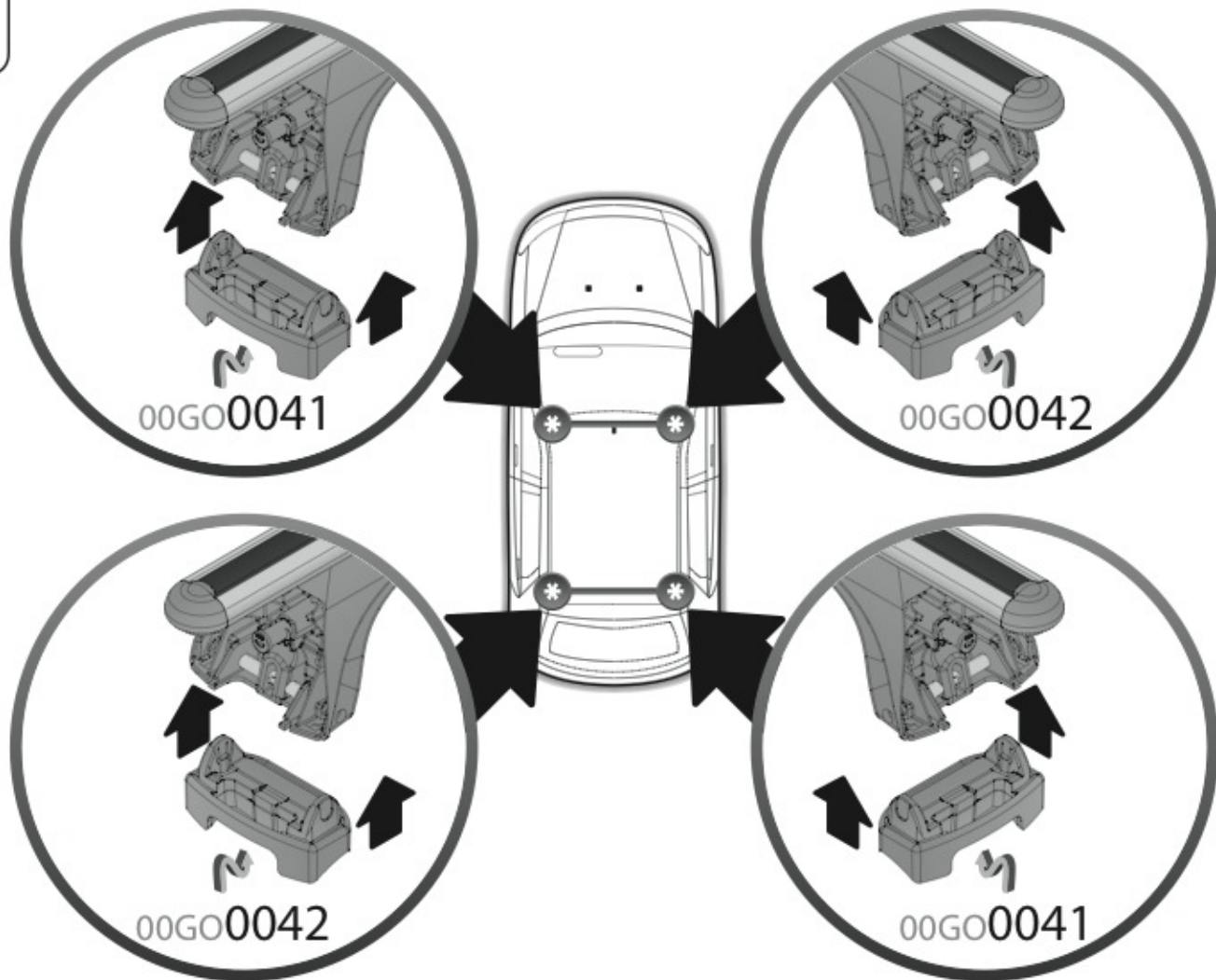


7

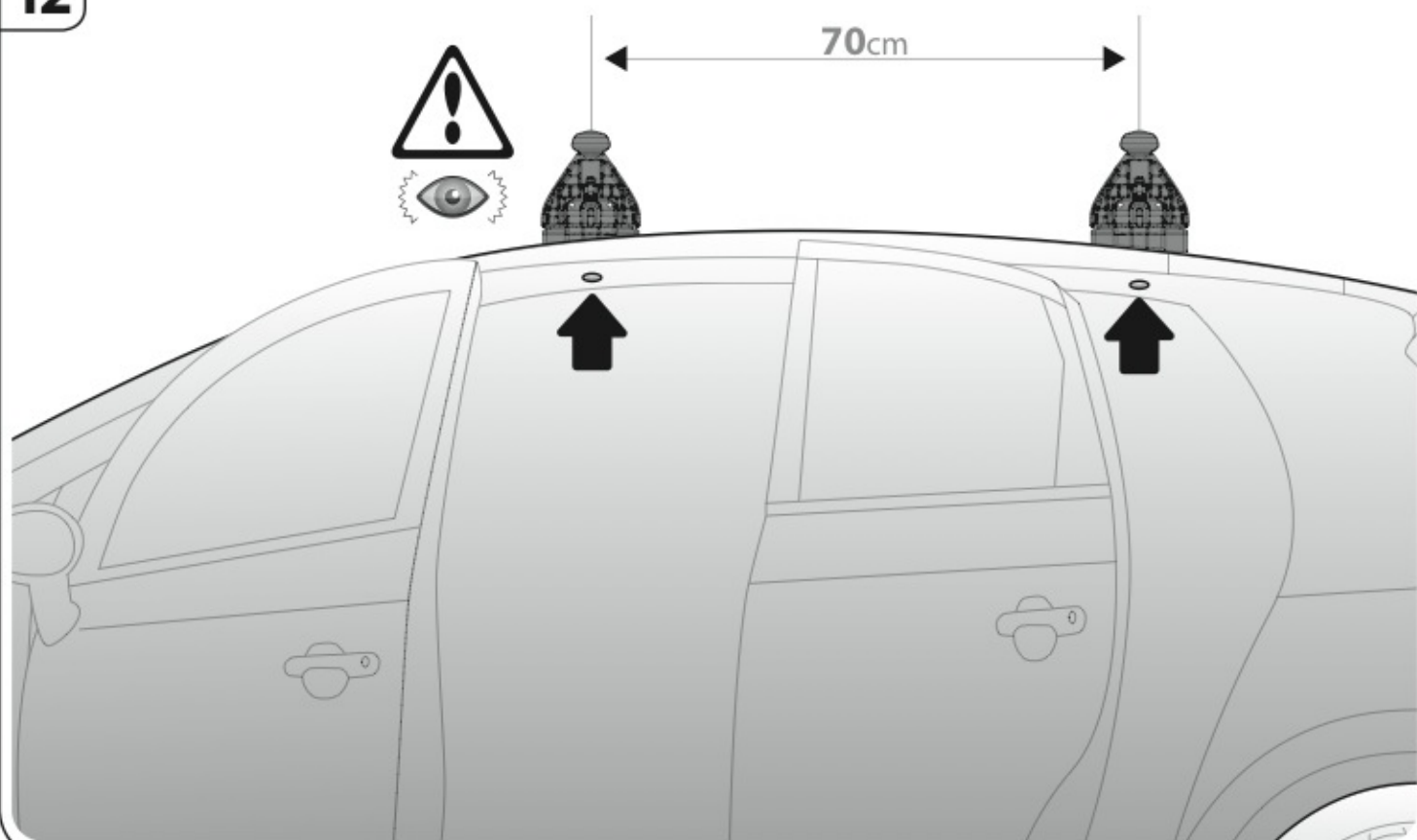


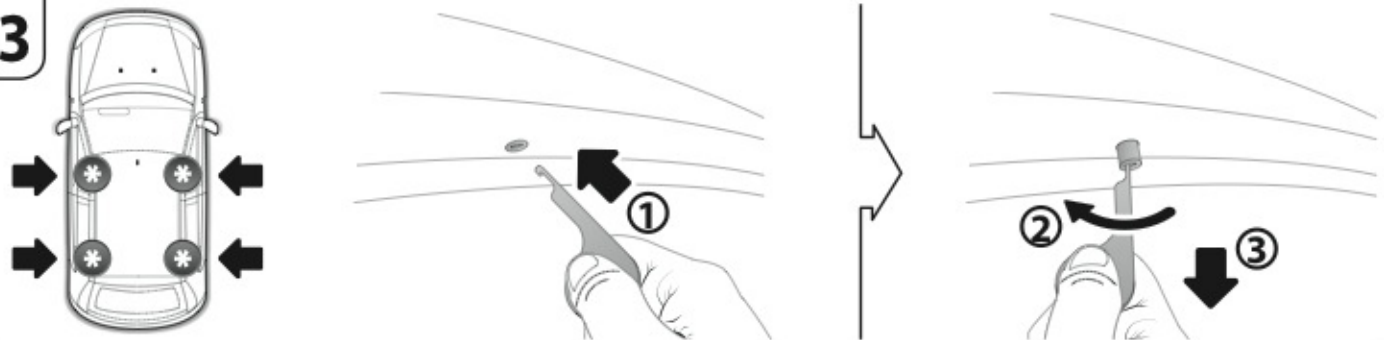
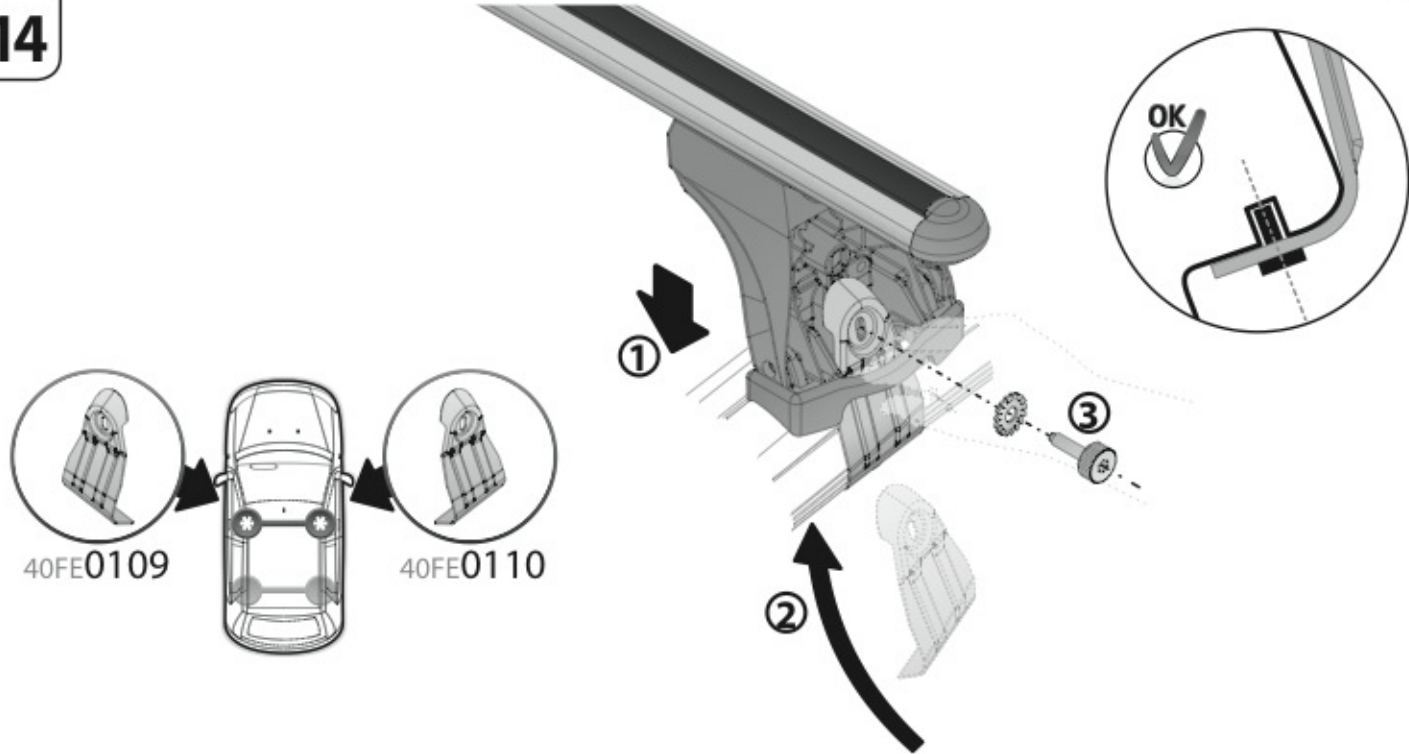
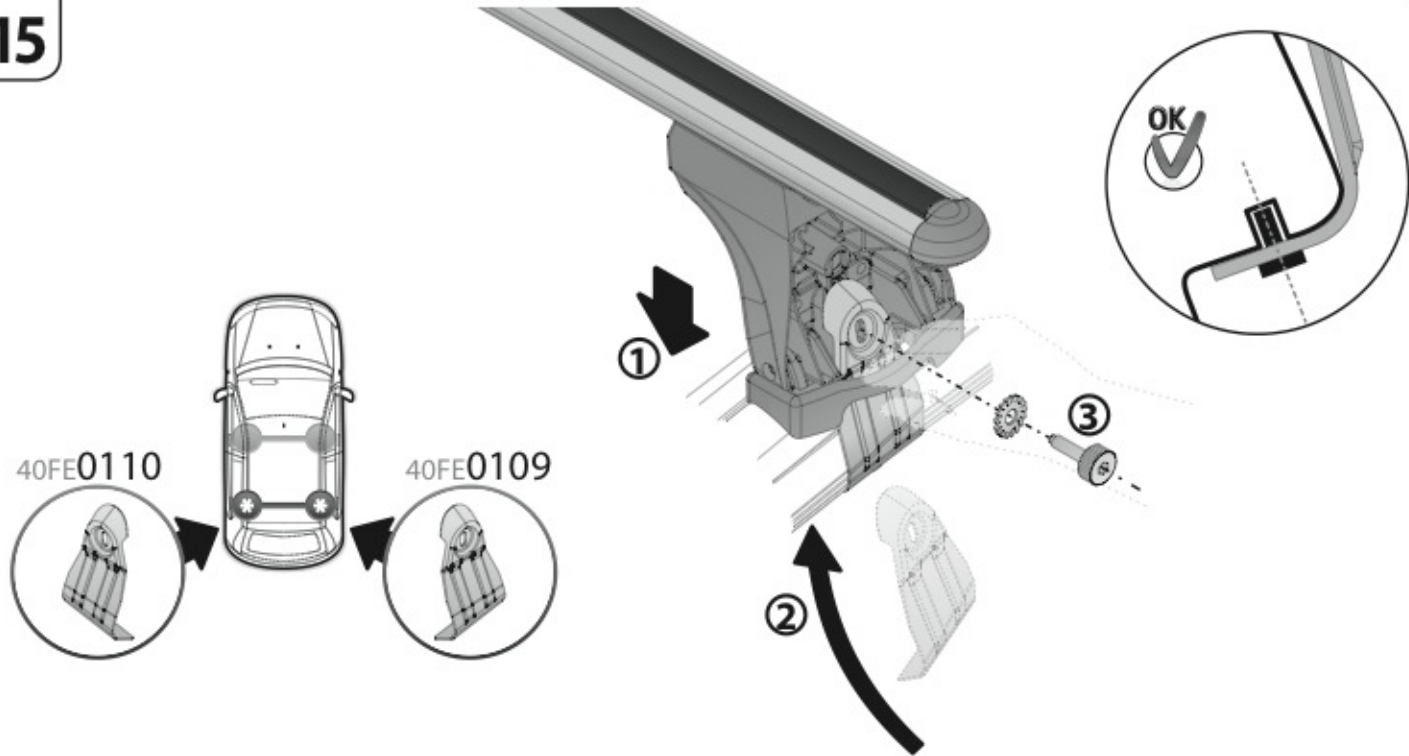


11



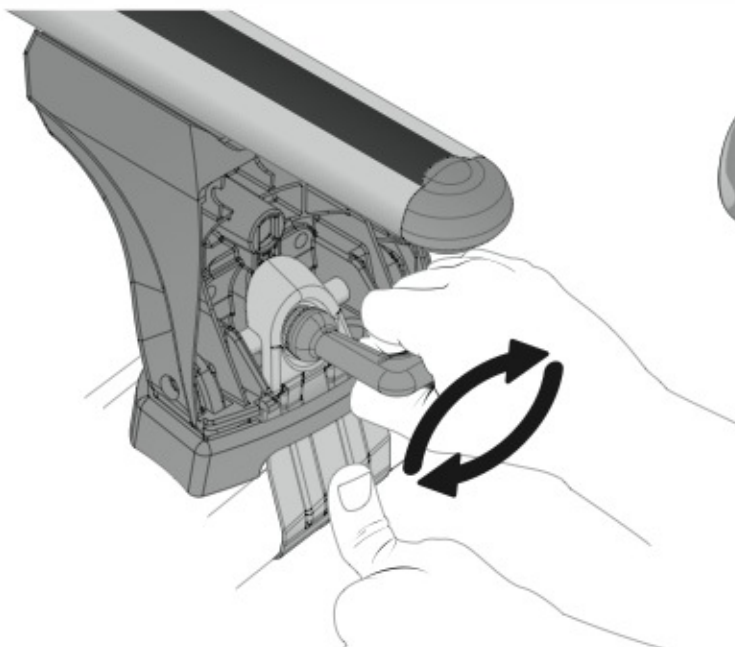
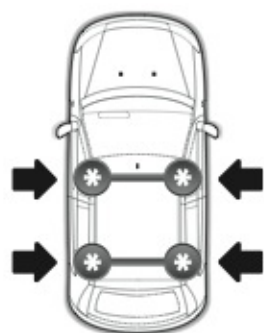
12



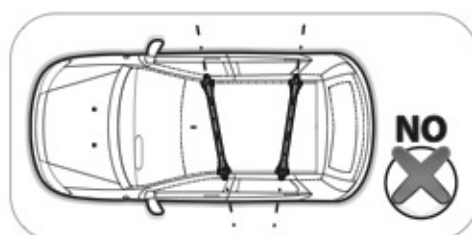
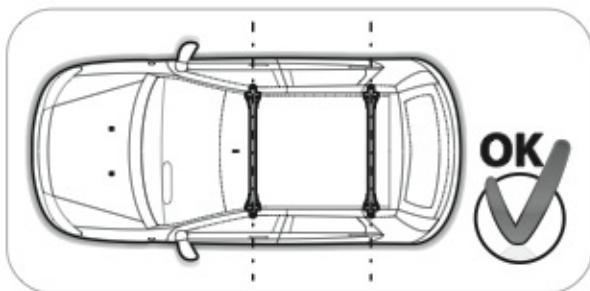
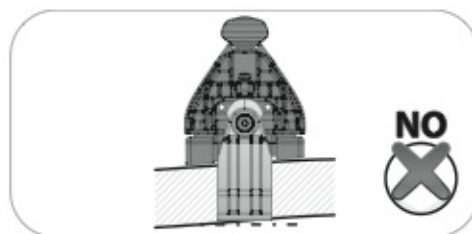
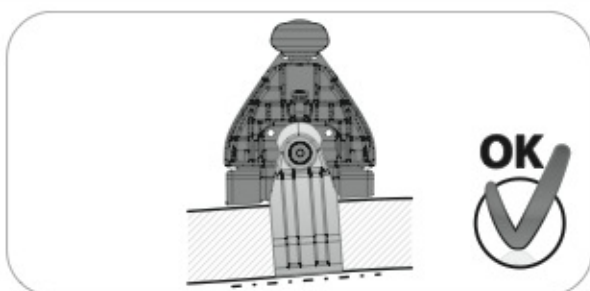
**13****14****15**



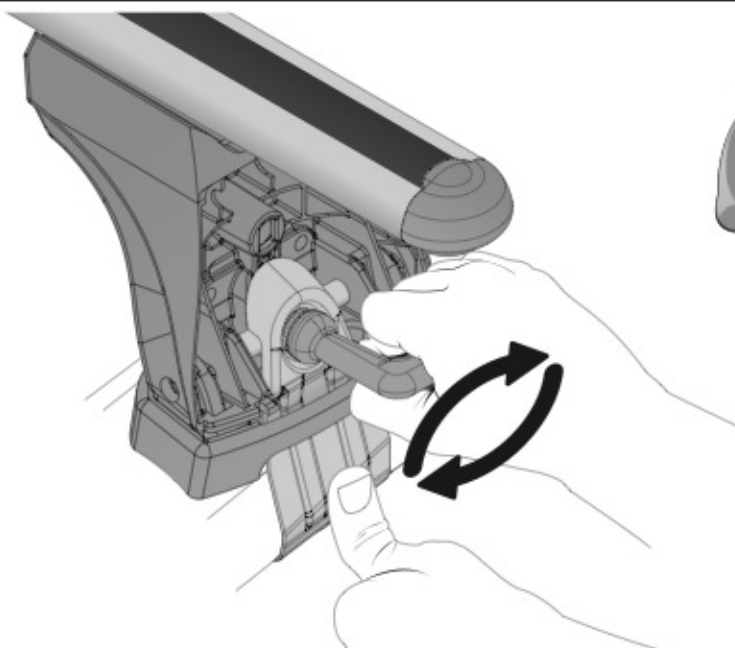
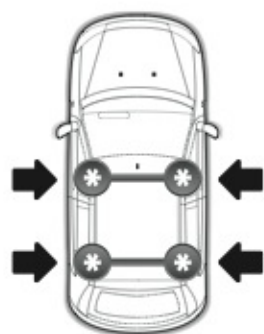
16



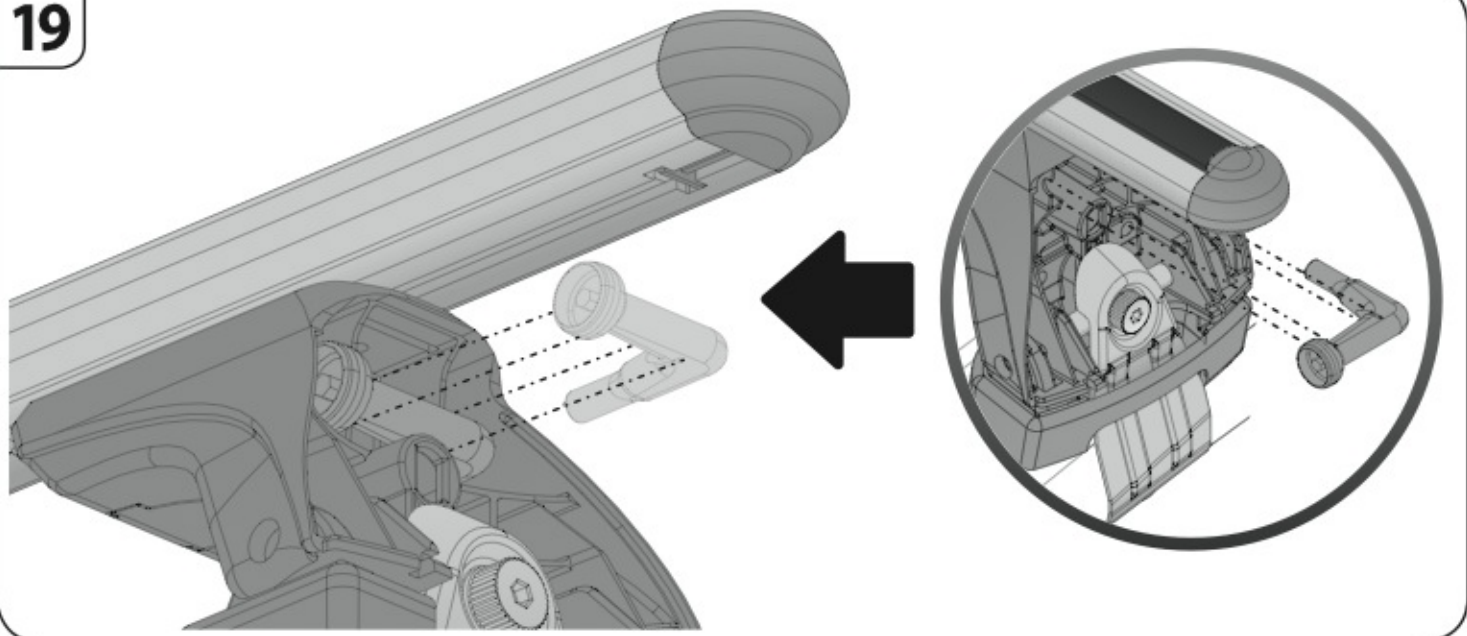
17



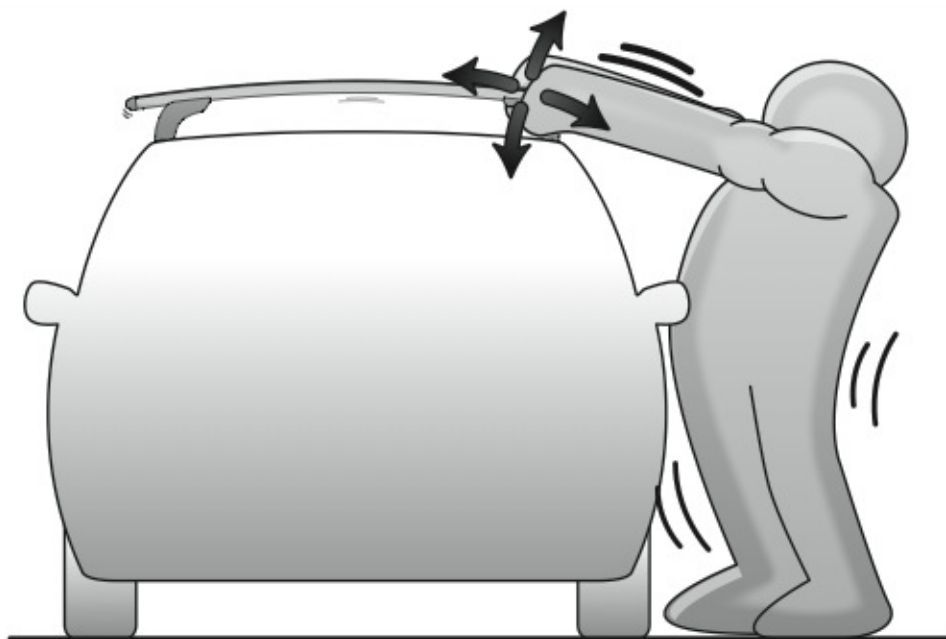
18



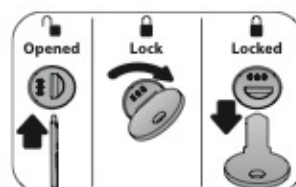
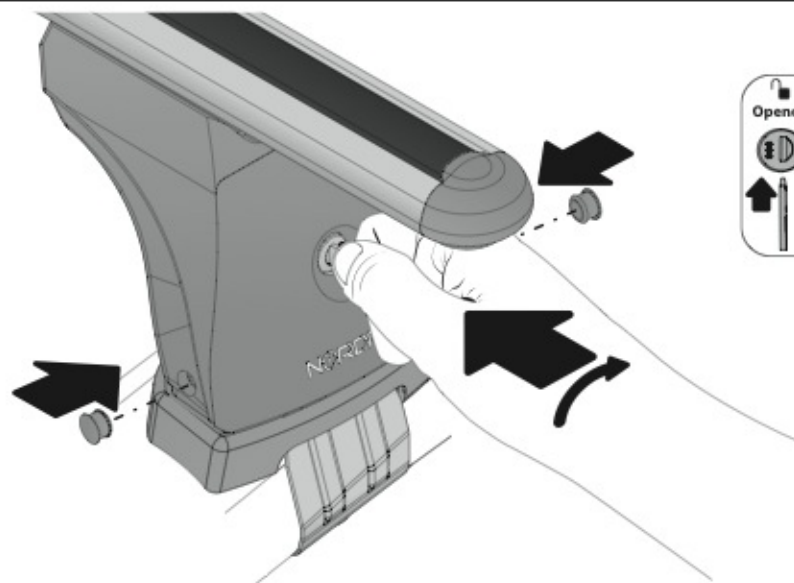
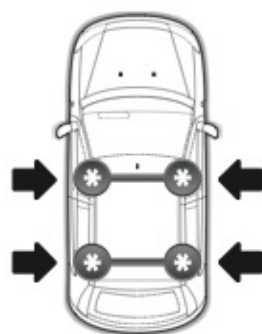
19



20



21





# EVOS

**NORDRIVE**<sup>®</sup>  
TRANSPORT SOLUTIONS

is a registered trade mark of

**LAMPA S.p.A.**

Via G. Rossa 53/55, 46019 Viadana (MN) ITALY

Tel. +39 0375 820700

UNI EN ISO 9001:2008 Certified Company

**[www.nordrive.it](http://www.nordrive.it)**

**[www.lampa.it](http://www.lampa.it)**